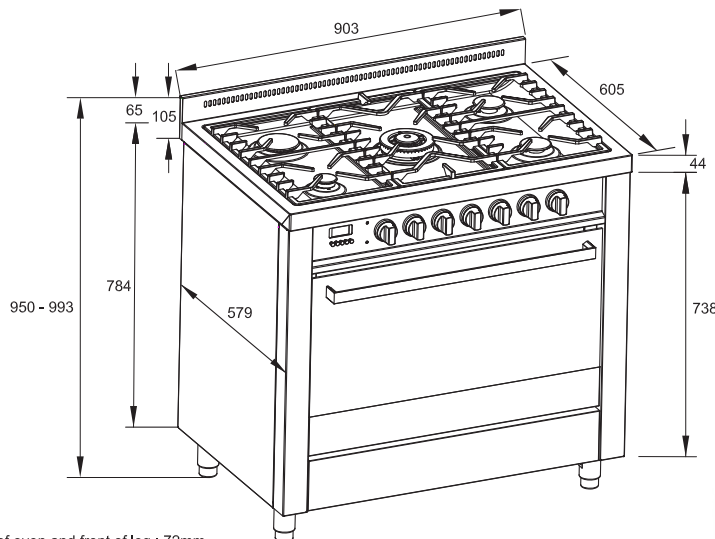


Freestanding Dual Fuel Oven XXL 109 Litre



Model: OFS9020

- Dual fuel, multifunction oven + 5 gas burners with 3.5kW wok
- Stainless steel construction
- 10 functions + dual point lighting
- Electronic timer and clock
- Cast Iron pan supports + under knob auto ignition
- Plate warmer/storage compartment
- Safety Cool door, 3 sheets of glass + flame Safe protection
- Tangential cooling fan
- 2 wire racks
- Baking tray with wire insert
- Baking tray handle
- LPG conversion kit
- 2 telescopic shelves



Telescopic legs :
Height min 101mm
max 144mm
Diameter : 51mm

Setback - Distance between front of oven and front of leg : 72mm

Total depth of the unit when oven door is open : 1012mm

Note : All dimensions in mm
Dimensions tolerance : +/- 2mm



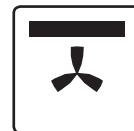
Flame Safe



Traditional cooking:
upper and lower
heating elements
Pizza and Bread



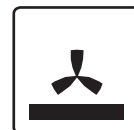
Pastry:
lower heating element



Fan assisted upper
heating element



Lighting



Fan assisted lower
heating element



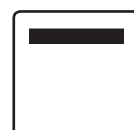
Defrosting: fan



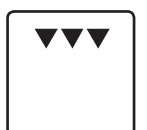
Baking: fan forced



Gratin:
ventilated grill



Browning:
upper heating element



Full Grill



QUALITY ASSURED

To obtain full installation instructions for this appliance go to kleenmaid.com.au and click on User Care Manuals, top right.

Fineline :0015247

J12007_01

Level 2, 204 Botany Road, Alexandria NSW, 2015
P: 02 9310 1207 • E: support@kleenmaid.com.au
www.kleenmaid.com.au

kLEENmaid
The best you can own