

Rangehood

RHSGFOCUS - 900mm Wall Mounted Canopy

Appliance Operation Manual

INCLUDING INSTALLATION AND CLEANING



WELCOME TO ST GEORGE

St George is a proud Australian company with a heritage of innovation and quality.

Our success extends to domestic and overseas markets, confirming our reputation at the forefront of appliance excellence.

The elegant simplicity and high performance features of St George designs, will remain contemporary in many years to come.

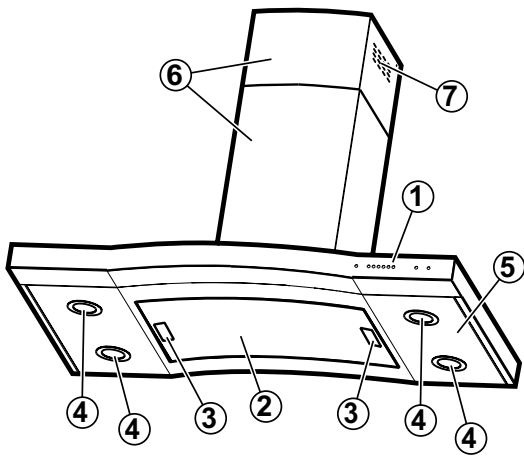


Fig. 1

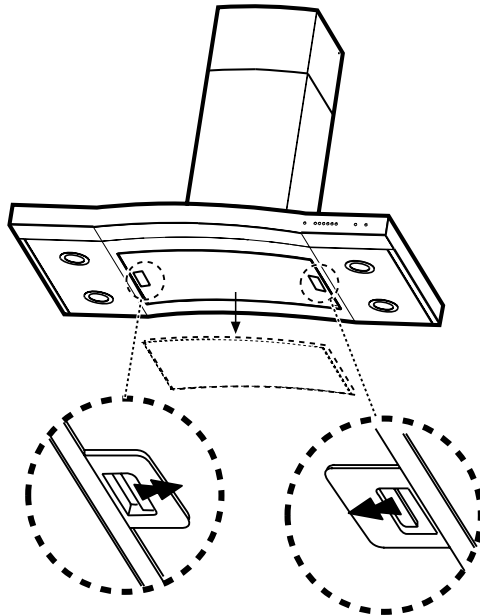


Fig. 2

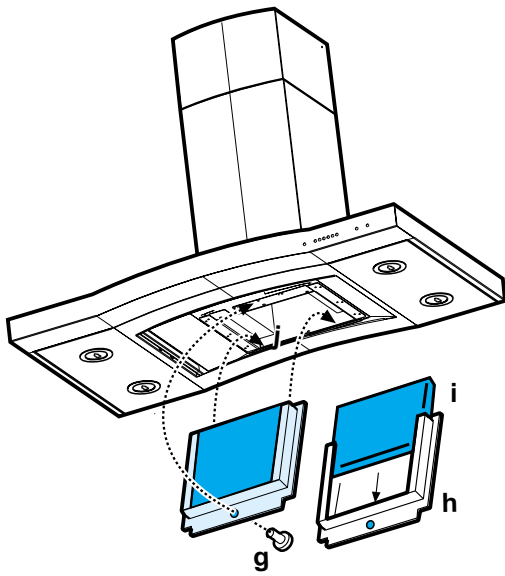


Fig. 2

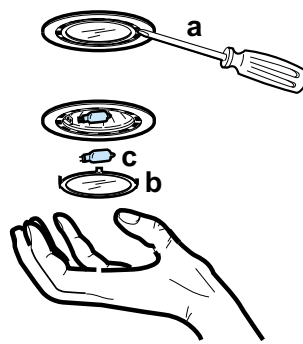


Fig. 4.1

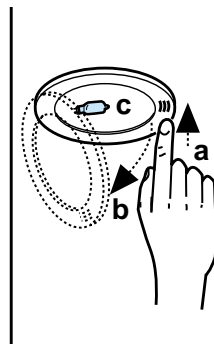


Fig. 4.2

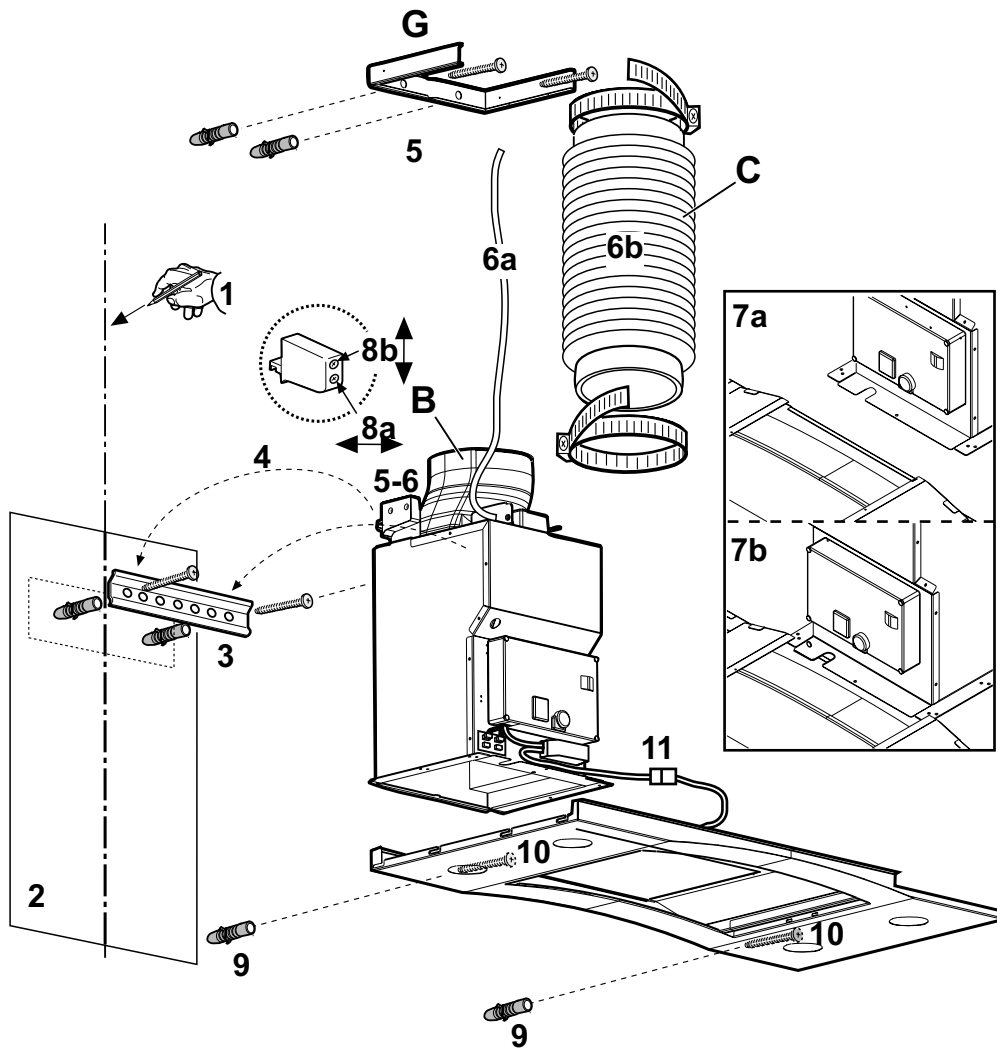


Fig. 5

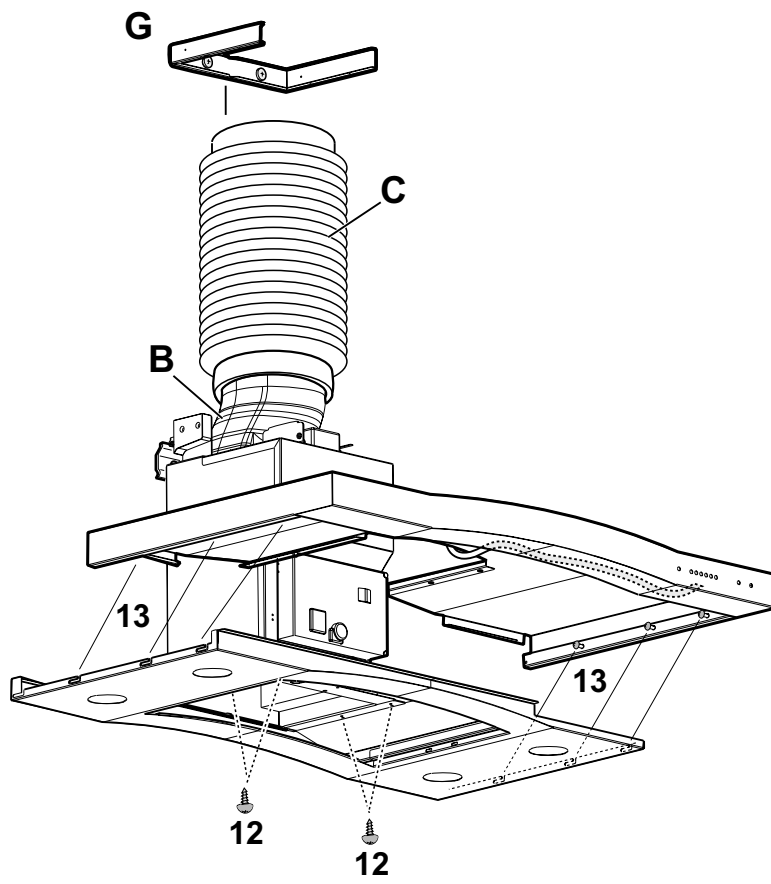
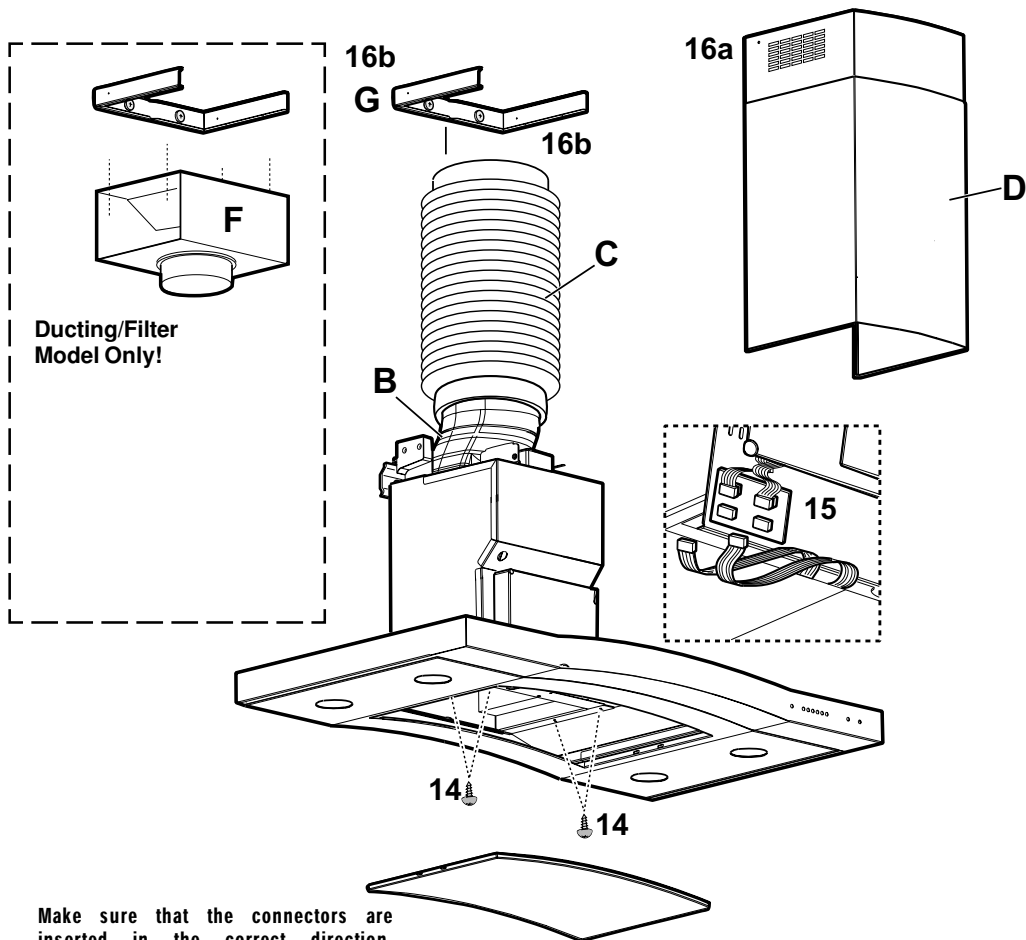


Fig. 6



Make sure that the connectors are inserted in the correct direction, indicated by the side foot. During installation of the Rangehood, the metal straps from the control panel must be connected as indicated in the diagram.

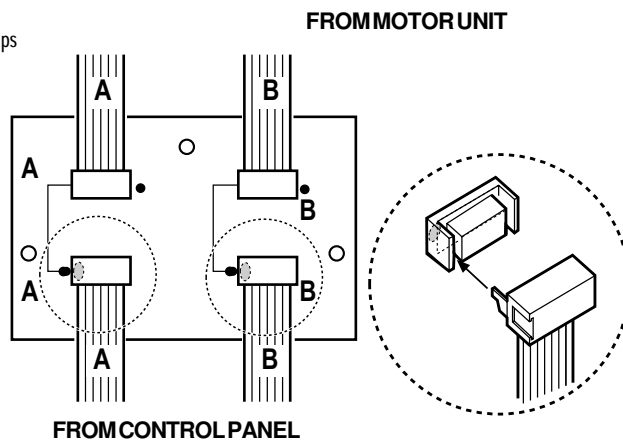


Fig. 7

Installation - Fig. 5-6-7

The Rangehood must be placed at a minimum distance of 650mm from electric, gas or mixed cooktops. Please confirm these measurements with your local Building Authority.

The Rangehood is equipped with a top air outlet **B** for discharge of fumes to the outside (**Ducting version** - exhaust pipe and pipe fixing clamps not provided).

Ducting/Filter Model Only!: the Rangehood can be used in the **filter version**, fitting an activated carbon filter and the deflector **F** on the support (bracket) **G**, fumes and vapours are recycled through the top grille **H** by means of an exhaust pipe connected to the top air outlet **B** and the connection ring mounted on the deflector **F** (exhaust pipe and pipe fixing clamps not provided).

Preliminary information for installation of the Rangehood:

Disconnect the Rangehood during electrical connection, by turning the home mains switch off.

Expansion wall plugs are provided to secure the Rangehood to most types of walls/ceilings. However, a qualified technician must verify suitability of the materials in accordance with the type of wall/ceiling. The wall/ceiling must be strong enough to take the weight of the Rangehood.

Do not tile, grout or silicone this appliance to the wall.

Surface mounting only.

Remove the grease filter/s.

- Using a pencil, draw a line on the wall, extending up to the ceiling, to mark the centre. This will facilitate installation.
- Rest the drilling template against the wall: the vertical centre line printed on the drilling template must correspond to the centre line drawn on the wall, and the bottom edge of the drilling template must correspond to the bottom edge of the Rangehood: bear in mind that, when installation is complete, the underside of the hood must be at least 650mm above the cooktop for electric, gas or mixed cooktops. Please confirm this measurement with your Local Building Authority.
- Rest the support bracket on the drilling template so that it coincides with the dotted rectangle. Mark the two outer holes and drill them. Remove the drilling template, insert 2 wall plugs and fix the hood support bracket into place using two 5x45mm screws.
- Hang the motor housing on the bracket.
- Rest the chimney support bracket **G** against the wall, touching the ceiling. Use the support bracket as a drilling template (the small slot formed on the support must coincide with the line drawn on the wall as above - operation 4) and mark 2 holes with a pencil, drill the holes (Ø8mm), insert 2 wall plugs.
Fix the chimney support bracket to the wall using two 5x45mm screws.

6. Make the electrical connections.

Connect a pipe (pipe and pipe clamps not provided & can be purchased separately) for discharge of fumes to the connection ring located over the suction motor unit.

If the Rangehood is to be used in ducting version, the other end of the pipe must be connected to a device expelling the fumes to the outside. In filter version (**Ducting/Filter Model Only!**), fix deflector **F** to the chimney support bracket **G** using 2 screws, and connect the other end of the pipe to the connection ring on deflector **F**.

- Separate the two lower parts of the Rangehood, which are supplied temporarily assembled to facilitate transport. Insert the lower of the two parts (the one containing the lamps) onto the lower guides of the Rangehood, and push it until the back edge touches the wall.
- Adjust the distance of the Rangehood from the wall and the horizontal position of the Rangehood.
- Use a pencil to mark the holes to be used for final fixing. The fixing points are on the right and left hand sides of the bottom section of the Rangehood. Drill two holes (Ø8mm) and insert two wall plugs.
- Fix the bottom section of the Rangehood to the wall using two screws.
- Connect the lamps to the motor unit.
- Fix the bottom section of the Rangehood using 4 screws.
- Insert the top section of the Rangehood and hook it onto the bottom section.
- Fix the motor unit using 4 screws.
- Connect the control panel to the motor unit using the two metal straps provided, which must be inserted in the correct position on the terminal strip located on the bottom outside edge of the motor unit. Two metal straps are already inserted in this terminal strip, and connection must be made by positioning the unconnected metal straps in such a way that the coloured lines printed along them correspond to the colours printed on the metal straps that are already connected to the terminal strip (e.g. red to red and black to black).
- Fix the top section of the chimney to the support and slide the bottom section down to cover the motor unit, until it rests on the top of the Rangehood canopy.
Refit the grease filter and check that the Rangehood is operating correctly.

Electrical connection

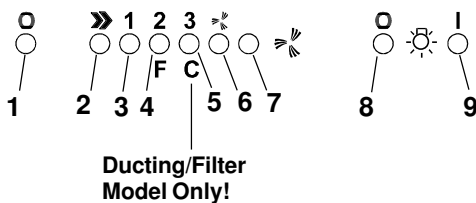
The electrical tension must correspond to the tension noted on the label placed inside the Rangehood. Connect the electrical plug, where provided, to the an easily accessible outlet in conformity with local standards in force.

Where an electrical plug is not provided (for direct connection to electrical network) place a standards approved bipolar switch with an aperture distance of not less than 3mm (accessible) from the contacts.

Consult the designs in the front pages referenced in the text by alphabet letters. **Closely follow the instructions set out in this manual.** All responsibility, for any eventual inconveniences, damages or fires caused by not complying with the instructions in this manual is declined.

Description of the Rangehood - Fig. 1

- 1 Control panel
- 2 Grease filter
- 3 Grease filter release handle
- 4 Halogen lamp
- 5 Vapour screen
- 6 Telescopic chimney
- 7 Air outlet (**Ducting/Filter Model Only!**)

**Operation -
Model with electronic controls**

- 1- Motor **OFF** button
- 2- **ON** button and motor speed selection button 1 - 2 - 3 - 1 - 2 -
- 3- **Speed 1 LED**
- 4- **Speed 2 LED** and metal grease filter saturation LED (in this latter case, the LED will flash - See instructions on grease filter cleaning).
- 5- **Speed 3 LED** and active carbon filter saturation LED (**Ducting/Filter Model Only!** - in this latter case, the LED will flash - See instructions on active carbon filter replacement).

Warning! The active carbon filter saturation LED is not activated. In order to activate the active carbon filter saturation indicator, press buttons **2** and **7** simultaneously for 3 seconds. Initially, only **LED 4** will flash, then after the 3 seconds have passed, **LED 5** will also start flashing, indicating that the active carbon filter saturation control system is active. To switch off the system, re-press the same two buttons: after 3 seconds **LED 5** will stop flashing and the device will be switched off.

- 6 - **Intensive speed LED**
- 7 - **Intensive speed ON switch**

This speed should be used when the concentration of cooking fumes or odours is particularly strong (for example when frying, cooking fish etc.). The fast speed will run for about 5 minutes and then return to the speed previously set automatically (1, 2 or 3), or switch off if no speed was selected. To turn off the fast speed, before the end of the 5 minutes, press button **1** or button **2** (see page 13).

- 8 - **OFF lamp button**
- 9 - **ON lamp button**

If the Rangehood fails to operate correctly, briefly disconnect it from the mains power supply for approx. 5 sec. by pulling out the plug. Plug it in again and try once more before contacting the Technical Assistance Service.

Use the high suction speed in cases of concentrated kitchen vapours. It is recommended that the Rangehood suction is switched on for 5 minutes prior to cooking and to leave in operation during cooking and for another 15 minutes approximately after terminating cooking.

Consult the designs in the front pages referenced in the text by alphabet letters. **Closely follow the instructions set out in this manual.** All responsibility, for any eventual inconveniences, damages or fires caused by not complying with the instructions in this manual is declined.

Maintenance

Prior to any maintenance operation ensure that the Rangehood is disconnected from the power supply.

Cleaning

The Rangehood should be cleaned regularly internally and externally.

For cleaning use a cloth moistened with denatured alcohol or neutral liquid detergents. Avoid abrasive detergents.

Warning:

Failure to carry out the basic standards of the cleaning of the Rangehood and replacement of the filters may cause fire risks.

Therefore we recommend observing these instructions.

Grease filter

This must be cleaned once a month (and, for the model with electronic control panel, every time **LED 4** starts to flash – see preceding page) using non aggressive detergents, either by hand or in the dishwasher, which must be set to a low temperature and a short cycle.

When washed in a dishwasher, the grease filter may discolour slightly, but this does not affect its filtering capacity. To remove the grease filter, pull the grease filter release handle (Fig. 2).

Once the grease filters have been cleaned, press button **1** (see preceding page) for about 3 seconds until you hear the acoustic signal (beep): the **LED 4** will now stop flashing.

Charcoal filter (filter version only)

It absorbs unpleasant odours caused by cooking.

The charcoal filter can be washed once every two months or when **LED 5** starts to flash on the control panel.

(see preceding page) The filter can be handwashed using a suitable detergent, or in a dishwasher at 65°C.

Select the full cycle function and leave dishes out.

Eliminate excess water without damaging the filter, then remove the mattress located inside the plastic frame and put it in the oven for 10 minutes at 100° C to dry completely. Replace the mattress every 3 years or when the cloth is damaged.

Remove the filter holder frame by removing the screw **(g)** fastening it to the Rangehood **(Fig. 3)**.

Insert the pad **(i)** of activated carbon into the frame **(h)** and fit the whole back into its housing **(j)**.

Once you have replaced the charcoal filter, press button **1** (see preceding page) for about 3 seconds until you hear the acoustic signal (beep).

LED 5 will now stop flashing.

Replacing lamps - Fig. 4

Firstly check that the lamps are well cooled prior to replacing them.

Access the light compartment – **according to the model in your possession, proceed as follows:**

extract the guard by levering it off with a small screwdriver or similar tool **(fig. 4.1)**

or

press on the lamp cover and release to open **(fig. 4.2)**.

Replace the damaged light bulb.

Only use halogen bulbs of 20W max **(G4)**, making sure you do not touch them with your hands.

Close the lamp cover (it will snap shut).

If the lights do not work, make sure that the lamps are fitted properly into their housings before you call for technical assistance.

Caution

This appliance is designed to be operated by adults. Children should not be allowed to tamper with the controls or play with the appliance.

Do not use the Rangehood where the grill is not correctly fixed! The suctioned air must not be conveyed in the same channel used for fumes discharged by appliances powered by other than electricity. The environment must always be adequately aerated when the Rangehood and other appliances powered by other than electricity are used at the same time. Flambé cooking with a Rangehood is prohibited. The use of a free flame is damaging to the filters and may cause fire accidents, therefore free flame cooking must be avoided. Frying of foods must be kept under close control in order to avoid overheated oil catching fire. Carry out fumes discharging in accordance with the regulations in force by local laws for safety and technical restrictions.

WARNING! The appliance is not intended for use by young children or infirm persons without supervision.

Consult the designs in the front pages referenced in the text by alphabet letters. **Closely follow the instructions set out in this manual.** All responsibility, for any eventual inconveniences, damages or fires caused by not complying with the instructions in this manual is declined.

WARRANTY AND SERVICE

DOMESTIC WARRANTY - FULL FIVE YEAR WARRANTY

In addition to all statutory rights which you, the Consumer, have under the relevant laws in respect of this appliance, during the first five years of ownership as the original purchaser of this St George appliance, we guarantee that any fault caused by faulty material or workmanship becoming apparent will be rectified free of charge for parts and labour, provided that all service is performed during normal working hours by St George or their designated Agents. Where the appliance is installed outside the normal servicing area of the above, the Purchaser must pay for the cost of transporting the appliance to and from the Agent or the Agent's travelling cost to and from the Purchaser's home.

COMMERCIAL WARRANTY - ONE YEAR WARRANTY

When this appliance is installed in a commercial application, you, the Consumer, have under the relevant laws in respect of this appliance, during your first one year of ownership as the original purchaser of this St George appliance, we guarantee that any fault caused by faulty material or workmanship becoming apparent, will be rectified free of charge for parts and labour, provided that all service is performed during normal working hours by St George or their designated Agents. Where the appliance is installed outside the normal servicing area of the above, the Purchaser must pay for the cost of transporting the appliance to and from the Agent or the Agent's travelling cost to and from the Purchaser's home.

WHAT THESE WARRANTIES DO NOT COVER

We are not responsible for any damage or malfunction unless caused by a defect in material or workmanship. This includes but is not limited to abuse, misuse, improper installation and transportation damage. We are not responsible for any consequential damages from any malfunction.

The Consumer, must make the appliance available for servicing and shall bear any costs incurred for any de-installation and/or re-installation required to make the appliance available for servicing.

St George are not liable for any consequential damage incurred during de-installation or re-installation.

WARRANTY DOES NOT COVER REPLACEMENT OF LIGHT GLOBES OR GLASS BREAKAGE DUE TO IMPACT

In case of fractured glass do not use your appliance.

WARRANTY REGISTRATION

Please complete warranty details below. Please retain together with your proof of purchase document. These documents will need to be viewed by our Service Representative should you request in warranty service.

SERVICE ASSISTANCE

To assist you when phoning our After Sales Service number to arrange a service call please complete the following details and have them ready when you call.

Model Number _____ Date of purchase _____

St George Store purchased from _____ Date of installation _____

ST GEORGE AFTER SALES SERVICE

1300 305 366

A Tradition of Excellence

St George

1300 305 366