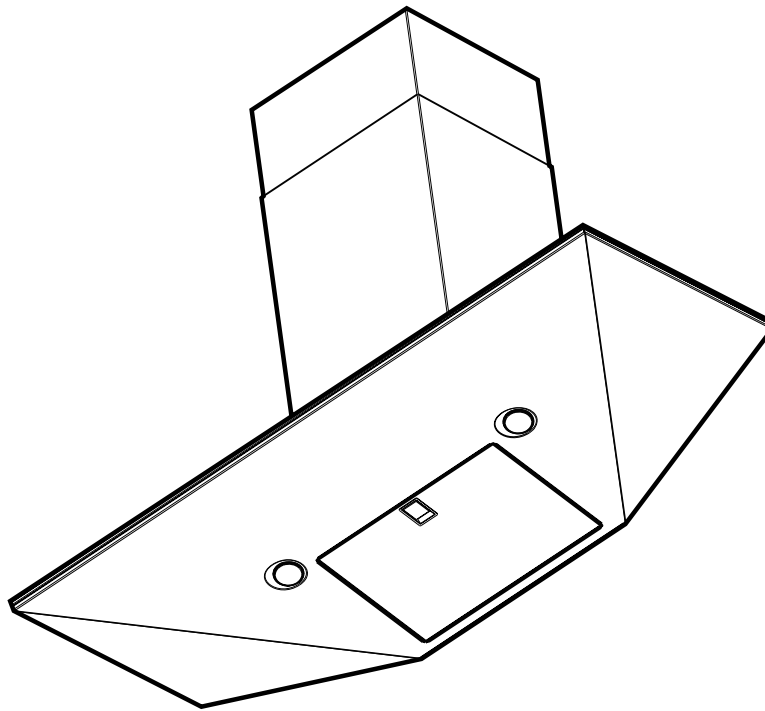


Cooking collection

Slope

By David Lewis



Instructions for Use and Warranty Details

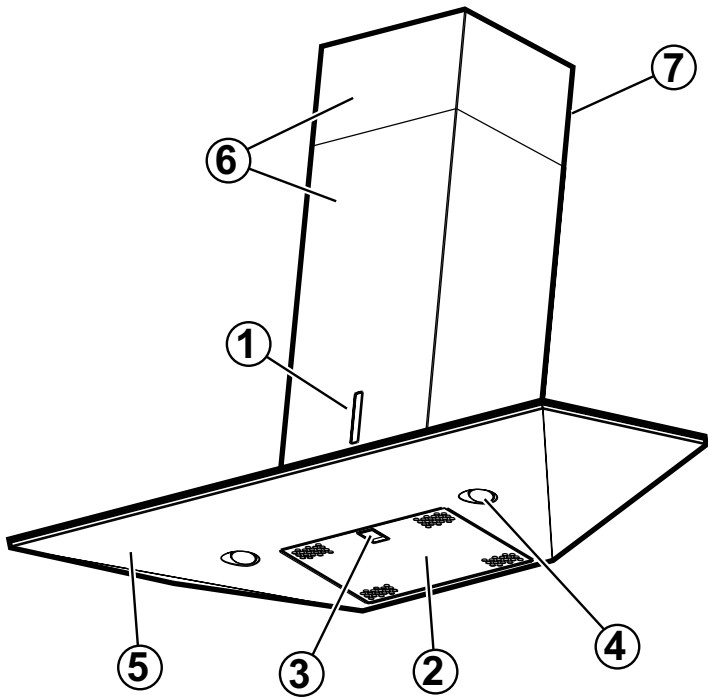
900mm Wall Mounted Canopy Rangehood

Congratulations on the purchase of your new appliance. This appliance has been designed and manufactured to give you years of reliable performance.

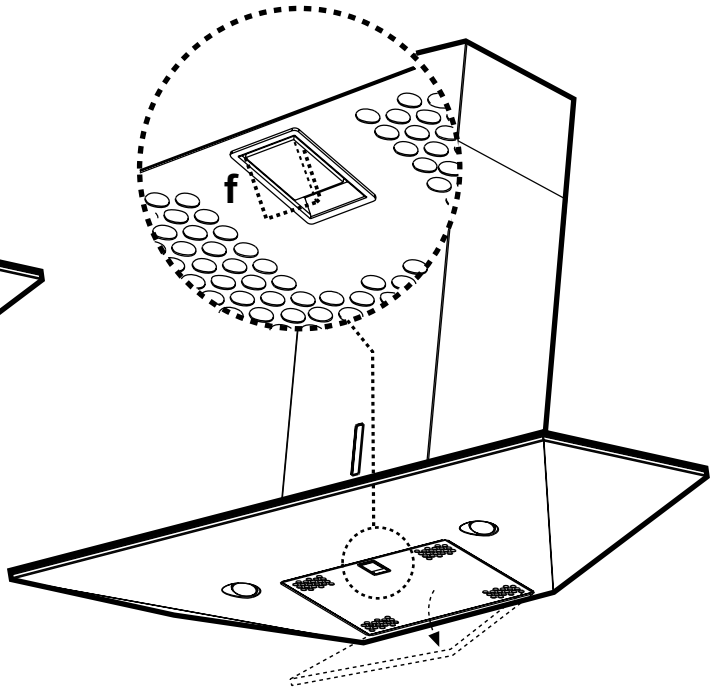
For best results, carefully read the instructions on how to install your new appliance. Correct installation will avoid delays and unnecessary service calls.

Once installation is complete, read this booklet carefully and get to know the controls and the features of your new appliance.

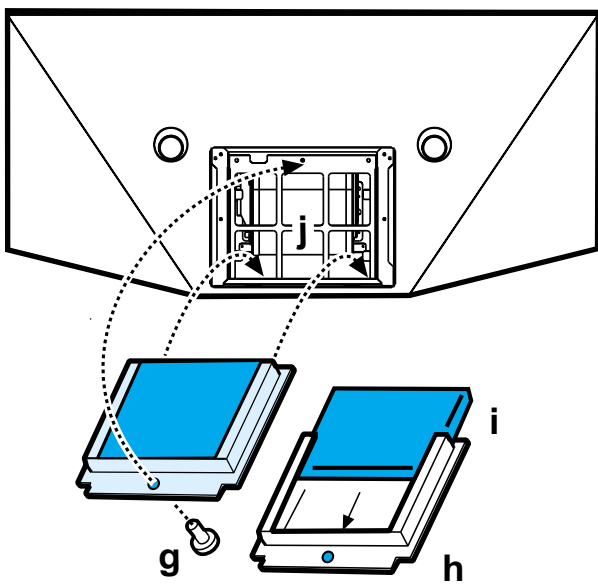
We reserve the right to alter the specifications with no influence on the operation of the appliance. This instruction manual cannot be reason for a claim.



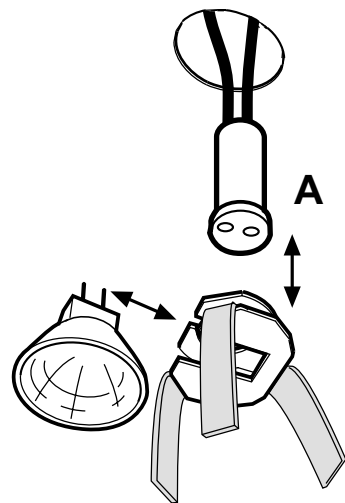
1



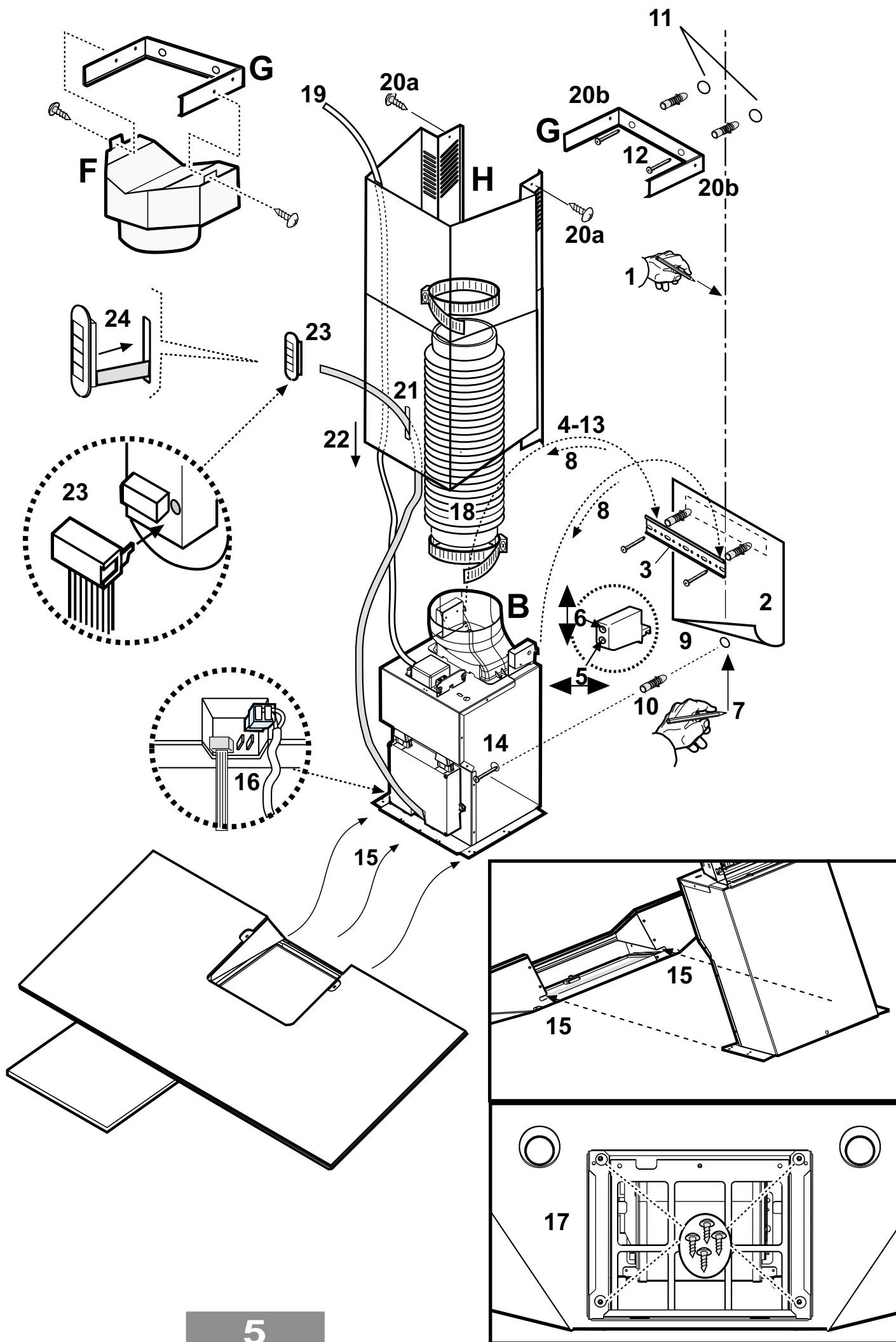
2



3



4



Safety Warnings!

- Only qualified installers are authorised to carry out installation. The installer is responsible for commissioning the appliance in accordance with the current Australian standards and requirements under law.
- The appliance is intended solely for domestic use.
- The manufacturer shall not be held responsible for any accident that may be caused because of improper use.
- Switch off the power supply to the equipment before starting the installation.
- The plug to be connected to the power supply cable and the relative socket must be the same type and must comply with current Australian standards.
- After installing the appliance make sure that the plug is accessible to allow periodical check-up.
- Always remember to remove all plastic protection before using the appliance.
- Before using the appliance we recommend reading this manual and all the warnings it contains thoroughly.
- In the event of a malfunction, do not attempt to repair the appliance. Disconnect the appliance from the mains and contact your nearest authorised Kleenmaid Service Agent on 1300 652 100.
- Do not pull out the plug by pulling the cable.
- The appliance cannot be connected to flues of other appliances that run on energy sources other than electricity.
- When the appliance is used at the same time as other appliances that run on energy sources other than electricity, provision must be made for adequate supply of air.
- The electric installation shall be equipped with a safety device, able to disconnect the appliance from the mains in all wires, with the distance between contacts of not less than 3mm in open position.
- No food must be cooked flambé underneath the appliance. The use of an unprotected flame is dangerous for the filters and could cause fires. Therefore, never use an open flame under the appliance.
- When frying foods, never leave the pan unattended as the cooking oil could flare up.
- Please keep to current Local Building Standards regarding fume discharge.
- The identification plate, with the technical data, serial number and markings, can be found inside the appliance. The plate must never be removed.
- The appliance is not intended for use by young children or infirm persons without supervision.
- Never allow children to come near the appliance or to play with it. Be careful not to leave objects on the appliance that may attract children's attention. Always keep children at a safe distance from the appliance.
- Discarded appliances must be delivered solely to a specialised waste collection centre.
- Switch off the power supply to the equipment before cleaning.
- Do not clean the surfaces of the appliance when still hot.
- Do not use pressure or steam spray guns to clean the appliance.
- Failure to clean the appliance and replace and clean the filters as described in this manual will generate a fire hazard. Please keep to the instructions given.

The manufacturer shall not be held responsible for any injury or damage that may be caused by failure to fully comply with the instructions and recommendations in this manual, the tampering of any of the appliance components or the use of non-original spares.

Consult the designs in the front pages referenced in the text by alphabet letters. **Closely follow the instructions set out in this manual.** All responsibility, for any eventual inconveniences, damages or fires caused by not complying with the instructions in this manual, is declined.

The rangehood must be placed at a minimum distance of 650mm from the cooking plane for electric, gas and mixed cooktops. Please confirm this measurement with your Local Building Authority.

The rangehood is equipped with a top air outlet "B" for discharge of fumes to the outside (**Ducting version** – exhaust pipe and pipe fixing clamps not provided).

Should it not be possible to discharge cooking fumes and vapour to the outside, the rangehood can be used in the **filter version**, fitting an activated carbon filter and the deflector "F" on the support (bracket) "G", fumes and vapours are recycled through the top grille "H" by means of an exhaust pipe connected to the top air outlet "B" and the connection ring mounted on the deflector "F" (exhaust pipe and pipe fixing clamps not provided).

Installation - Fig. 5

Preliminary information for installation of the rangehood: Disconnect the rangehood during electrical connection, by turning the home mains switch off.

Expansion wall plugs are provided to secure the rangehood to most types of walls/ceilings. However, a qualified technician must verify suitability of the materials in accordance with the type of wall/ceiling. The wall/ceiling must be strong enough to take the weight of the rangehood.

Do not tile, grout or silicone this appliance to the wall. Surface mounting only.

1. Using a pencil, draw a line on the wall, extending up to the ceiling, to mark the centre. This will facilitate installation.
2. Rest the drilling template against the wall: the vertical centre line printed on the drilling template must correspond to the centre line drawn on the wall, and the bottom edge of the drilling template must correspond to the bottom edge of the rangehood: bear in mind that, when installation is complete, the underside of the rangehood must be at least 650mm above the cooktop in the case of electric, gas and mixed cooktops. Please confirm this measurement with your Local Building Authority.
3. Rest the support bracket on the drilling template so that it coincides with the dotted rectangle, mark the two outer holes and drill them, remove the drilling template, insert 2 wall plugs and fix the rangehood support bracket into place using two 5x45mm screws.
4. Hang the rangehood on the bracket.
5. Adjust the distance of the rangehood from the wall.
6. Adjust the horizontal position of the rangehood.
7. From inside the suction unit, use a pencil to mark the hole to be used for final fixing of the rangehood.
8. Remove the rangehood from the bracket.
9. Drill at the point marked (Ø8mm - see operation 7).

10. Insert 1 wall plug

11. Rest the chimney support bracket "G" against the wall, touching the ceiling. Use the support bracket as a drilling template (the small slot formed on the support must coincide with the line drawn on the wall as above – operation 4) and mark 2 holes with a pencil, drill the holes (Ø8mm), insert 2 wall plugs.
 12. Fix the chimney support bracket to the wall using two 5x45mm screws.
 13. Hook the rangehood onto the bottom bracket.
 14. Fix the rangehood into its final position on the wall using one 5x45mm screw (**ABSOLUTELY ESSENTIAL**).
 15. Slide the lower part of the rangehood to suction group.
 16. Connect the lamp connector to the suction group.
 17. Fasten the rangehood to the suction unit using 4 screws.
 18. Connect a pipe (pipe and pipe clamps not provided, to be purchased separately) for discharge of fumes to the connection ring located over the suction motor unit. If the rangehood is to be used in ducting version, the other end of the pipe must be connected to a device expelling the fumes to the outside. If the rangehood is to be used in filter version, fix deflector "F" to the chimney support bracket "G" using 2 screws, and connect the other end of the pipe to the connection ring on deflector "F".
 19. Make the electrical connections.
 20. Apply the chimney stacks and fasten them at the top to the chimney support "G" (20b) using 2 screws (20a), convey the lower section of the chimney flue downwards to avoid damaging either the rangehood or the chimney flue.
 21. Raise the lower chimney section and thread the control panel cable via the perforation slit.
 22. Allow the lower chimney section to slide downwards, insert the lower chimney border in the proper housing above the rangehood.
 23. Connect the control panel cable.
 24. Fix with a jolt the panel in the chimney flue perforation **THE LAMP BUTTON SHOULD BE LOCATED ON THE LOWER SIDE.**
- Remount the grease filter/s and check that the rangehood is operating perfectly.
Otherwise check the connections of the control panel and/or the electrical network.

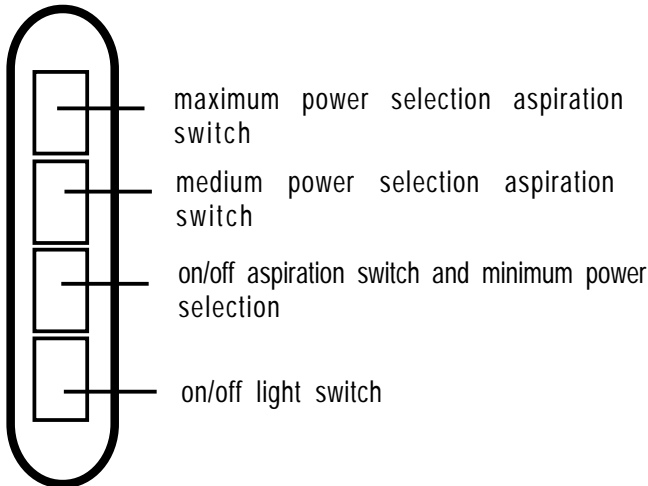
Electrical connection

The electrical tension must correspond to the tension noted on the label placed inside the rangehood. Connect the electrical plug, where provided, to the an easily accessible outlet in conformity with local standards in force.

Where an electrical plug is not provided (for direct connection to electrical network) place a standards approved bipolar switch with an aperture distance of not less than 3mm (accessible) from the contacts.

Description of the rangehood - Fig. 1

- 1 Control panel
- 2 Grease filter
- 3 Grease filter release handle
- 4 Halogen lamp
- 5 Vapour screen
- 6 Telescopic chimney
- 7 Air outlet (used for filter version only)

**Operation –
Model with button panel****Description of control panel and rangehood operation**

Use the high suction speed in cases of concentrated kitchen vapours. It is recommended that the rangehood suction is switched on for 5 minutes prior to cooking and to leave in operation during cooking and for another 15 minutes approximately after terminating cooking.

Maintenance

Prior to any maintenance operation ensure that the rangehood is disconnected from the power supply.

Cleaning

The rangehood should be cleaned regularly internally and externally.

For cleaning use a cloth moistened with denatured alcohol or neutral liquid detergents. Avoid abrasive detergents.

Warning:

Failure to carry out the basic standards of the cleaning of the rangehood and replacement of the filters may cause fire risks.

Therefore we recommend observing these instructions.

Grease filter

This must be cleaned once a month using non aggressive detergents, either by hand or in the dishwasher, which must be set to a low temperature and a short cycle.

When washed in a dishwasher, the grease filter may

discolour slightly, but this does not affect its filtering capacity. To remove the grease filter, pull the spring release handle "f" - (Fig. 2).

Charcoal filter (filter version only)

It absorbs unpleasant odours caused by cooking.

The charcoal filter can be washed once every two months using hot water and a suitable detergent, or in a dishwasher at 65°C (if the dishwasher is used, select the full cycle function and leave dishes out).

Eliminate excess water without damaging the filter, then remove the mattress located inside the plastic frame and put it in the oven for 10 minutes at 100° C to dry completely. Replace the mattress every 3 years or when the cloth is damaged.

Remove the filter holder frame by turning the knobs "g" 90° that affix the chimney to the rangehood (Fig. 3).

Insert the pad "i" of activated carbon into the frame "h" and fit the whole back into its housing "j".

Replacing lamps - Fig. 4

Firstly check that the lamps are well cooled prior to replacing them.

Use a small screwdriver as a lever on the borders of the lamp in order to remove the lightbulb.

Unthread the connector "A".

Slide out the lightbulb to be replaced and replace with a new 12V 20W 30° Ø35 12V GU4 PHILIPS STANDARD LINE code 425409.

Carry out the replacement and mount the new lightbulb by following instructions in the reverse.

If the lights do not work, make sure that the lamps are fitted properly into their housings before you call for technical assistance.

Caution

This appliance is designed to be operated by adults. Children should not be allowed to tamper with the controls or play with the appliance.

Do not use the rangehood where the grill is not correctly fixed! The suctioned air must not be conveyed in the same channel used for fumes discharged by appliances powered by other than electricity. The environment must always be adequately aerated when the rangehood and other appliances powered by other than electricity are used at the same time. Flambé cooking with a rangehood is prohibited. The use of a free flame is damaging to the filters and may cause fire accidents, therefore free flame cooking must be avoided. Frying of foods must be kept under close control in order to avoid overheated oil catching fire. Carry out fumes discharging in accordance with the regulations in force by local laws for safety and technical restrictions.

WARRANTY AND SERVICE

DOMESTIC WARRANTY - FULL FIVE YEAR WARRANTY

In addition to all statutory rights which you, the Consumer, have under the relevant laws in respect of this appliance, during the first five years of ownership as the original purchaser of this Kleenmaid appliance, we guarantee that any fault caused by faulty material or workmanship becoming apparent will be rectified free of charge for parts and labour, provided that all service is performed during normal working hours by Kleenmaid or their designated Agents. Where the appliance is installed outside the normal servicing area of the above, the Purchaser must pay for the cost of transporting the appliance to and from the Agent or the Agent's travelling cost to and from the Purchaser's home.

COMMERCIAL WARRANTY - ONE YEAR WARRANTY

When this appliance is installed in a commercial application, you, the Consumer, have under the relevant laws in respect of this appliance, during your first one year of ownership as the original purchaser of this Kleenmaid appliance, we guarantee that any fault caused by faulty material or workmanship becoming apparent, will be rectified free of charge for parts and labour, provided that all service is performed during normal working hours by Kleenmaid or their designated Agents. Where the appliance is installed outside the normal servicing area of the above, the Purchaser must pay for the cost of transporting the appliance to and from the Agent or the Agent's travelling cost to and from the Purchaser's home.

WHAT THESE WARRANTIES DO NOT COVER

We are not responsible for any damage or malfunction unless caused by a defect in material or workmanship. This includes but is not limited to abuse, misuse, improper installation and transportation damage. We are not responsible for any consequential damages from any malfunction.

The Consumer must make the appliance available for servicing and shall bear any costs incurred for any de-installation and/or re-installation required to make the appliance available for servicing. Kleenmaid is not liable for any consequential damage incurred during de-installation or re-installation.

WARRANTY DOES NOT COVER REPLACEMENT OF LIGHT GLOBES OR GLASS BREAKAGE DUE TO IMPACT

In case of fractured glass do not use your appliance.

WARRANTY REGISTRATION

Please complete warranty details below. Please retain together with your proof of purchase document. These documents will need to be viewed by our Service Representative should you request in warranty service.

SERVICE ASSISTANCE

To assist you when phoning our After Sales Service number to arrange a service call please complete the following details and have them ready when you call.

Model Number _____ Date of purchase _____

Kleenmaid Store purchased from _____ Date of installation _____

KLEENMAID AFTER SALES SERVICE
1300 652 100

**Other products available in the Kleenmaid
Range of appliances**

Washers

Dryers

Dishwashers

Ovens

Cooktops

Outdoor Cooking Centres

Built In Espresso Coffee Machines

Rangehoods

Freestanding Ranges

Sinks

Waste Disposals

Taps

Cookware

Refrigerators

Freezers

Wine Cellars

Vacuum Cleaners

**For sales information on the full range of quality appliances
Phone 13 13 08**

