

RANGEHOOD MODEL RH6 (600mm) RH7 (900mm) OPERATING & INSTALLATION INSTRUCTIONS

OPERATING INSTRUCTIONS

Before first switching on, examine the inside of the rangehood to ensure that no parts or accessories have been left inside the hood by the installer. The rangehood has been fitted with switches for control of the fan and light. Markings on the front of the rangehood, next to the switches, indicate their functions. These models are fitted with blanking grills as standard. Remove if recirculating is required.

ROUTINE SERVICING

Note: Before any servicing is carried out, ensure the rangehood is disconnected from the power supply.

GREASE FILTERS

These will require monthly washing in hot water and washing up detergent. Rinse in hot clean water. **DO NOT** use harsh cleaners, and allow to dry before replacing. **NOTE:** Washing the grease filters in a dishwasher may result in the discolouration of the aluminium.

ODOUR FILTERS

Your rangehood may be fitted with combination grease and carbon impregnated odour filters with colour indicator. These filters will require replacement every two to three months - depending upon usage (order form enclosed). Intervals at which the filter systems require attention will depend upon the frequency and nature of cooking.

NOTE:

- A.** When the indicator lines on combination filters turn to form a green band it's time to replace the combination filters.
- B.** When your rangehood is installed in the ducted mode then odour filters are not required.

1. TO REMOVE FILTERS

Pull slide forward to fully open position and slide out filter.

2. TO REPLACE LIGHT GLOBE

- (a) Ensure rangehood is disconnected from power supply.
- (b) Remove plastic light cover by removing screw.
- (c) Remove old globe and replace.
(Maximum 60 watt S.E.S.)
- (d) Replace plastic light cover by screwing into place.

3. GENERAL CLEANING OF RANGEHOOD

Wipe down all surfaces with soft cloth moistened with a mild solution of washing up detergent. Rinse with cloth moistened with clean water.
DO NOT USE HARSH CLEANERS.

4. SPARES

Combination grease and carbon impregnated odour filter with colour indicator can be fitted. These are not necessary if externally ducted. These filters may be obtained by completing the enclosed re-order form and mailing with your remittance.

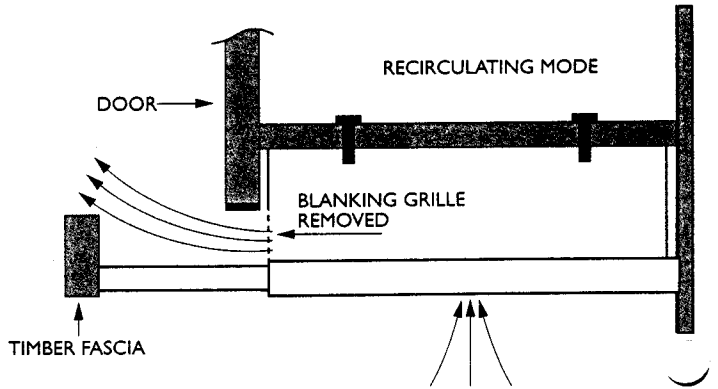
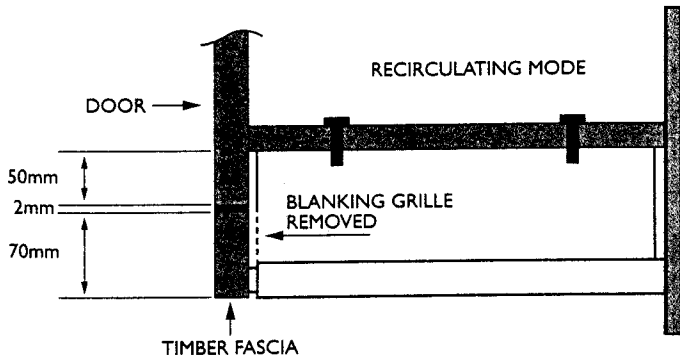
FULL FIVE YEAR IN-HOME WARRANTY

In addition to all statutory rights which you, the Consumer, have under all the relevant laws in respect of this appliance, during your first five years of ownership as the original purchaser of the Kleenmaid rangehood, we guarantee that any fault caused by faulty material or workmanship becoming apparent, will be rectified free of charge for parts and labour, provided that all service is performed during normal working hours by Kleenmaid or their designated Agent. Where the rangehood is installed outside the normal servicing area of the above, the Purchaser must pay for the cost of transporting the appliance to and from the Agent or the Agent's travelling cost to and from the Purchaser's home. This warranty specifically excludes light globes and filters (aluminium or carbon).

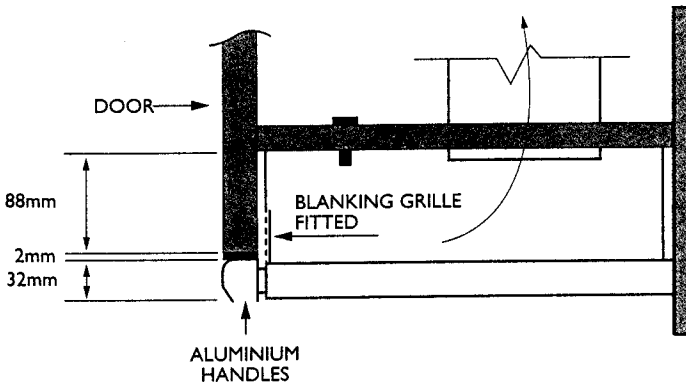


TECHNICAL SPECIFICATIONS

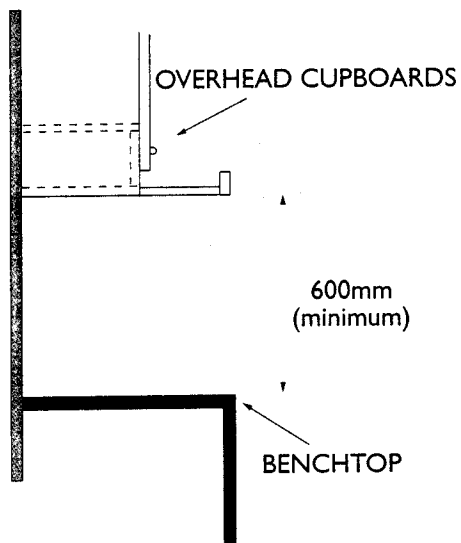
RECIRCULATING MODE



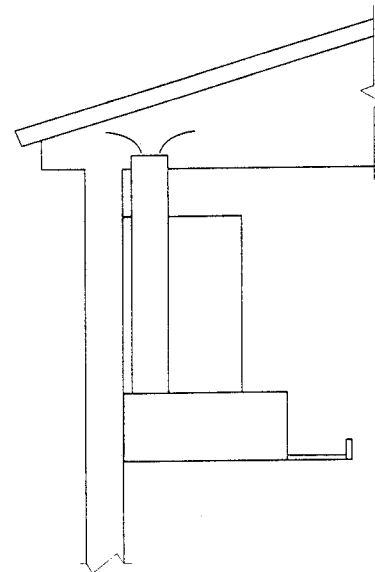
DUCTED MODE



MINIMUM HEIGHT ABOVE BENCH 600MM



VENTING THROUGH TO ROOF USING TOP VENT ADAPTOR



INSTALLATION INSTRUCTIONS

GENERAL NOTES

1. Ensure the rangehood is located centrally over your stove or hotplate.
2. The filter area of your hood must be a minimum height of 600mm above the stove. REFER FIGURE 1. To avoid heat damage, always turn off your hotplates or gas jets when not in use. The rangehood should be plugged into a standard 10 amp domestic power outlet.

IMPORTANT

These rangehoods are not suitable for barbecues, open rotisseries, or in a commercial application.

UNDER CUPBOARD MOUNTING

1. Remove filter/s if required.
2. To determine the position of mounting holes underneath the cupboard. A template has been provided in the carton.
3. Drill holes through template into base of cupboard as position on the template.
4. Offer rangehood up to cupboard and secure with supplied screws.
5. Replace filters if removed.

DUCTED INSTALLATION

1. Exhaust air must NOT be discharged into any chimney or flue which may carry combustion products from other sources. In addition, exhaust air must NOT be discharged into a wall cavity, unless designed for the purpose.
2. Before rangehood is secured, cut a 120mm round hole for top duct.
3. Proceed to remove knock out, ensuring the knock out pieces are removed from the hood.
4. It is considered advisable to seal all joints in the ducting system using a suitable mastic compound.
5. Obtain required ducting accessories from your Kleenmaid retailer.
6. Remove and discard carbon odour filters if fitted (not required for ducted installation).

SERVICE

Contact your retailer or Kleenmaid directly on **1-800 072 144**

ORDER FORM - Models RH6 / RH7

POST TO

Please send me the following item(s)

ACCESSORY	QTY	RH6	RH7	TOTAL
Carbon/Grease Filter		\$32 RHC600	\$38 RHC700	
Decor Trim - Black		\$32 RH106B	\$38 RH107B	
Decor - Brushed Aluminium		\$32 RH106S	\$38 RH107S	
Aluminium Grease Filter		\$14 RHF600	\$18 RHF700	
120mm Flange Adaptor		\$24 DF67	\$24 DF67	

Prices include postage and handling.

Please enclose cheque or money order

ENCLOSED
TOTAL \$

NAME (Mr/Mrs/Ms) _____

INITIALS _____

SURNAME _____

ADDRESS _____

_____ P/CODE _____

Please allow 14 days for delivery



Please post completed form to: KLEENMAID
PO BOX 5560
Maroochydore South QLD 4559

Other products in Kleenmaid's
range of world's best appliances:

Washing Machines

Dryers

Vacuum Cleaners

Dishwashers

Cooktops

Ovens

Refrigerators

Sinks & Taps

**For sales information on the full range of Kleenmaid quality
kitchen and laundry appliances, phone 13 13 08**

Kleenmaid Head Office:

PO Box 5560, Maroochydore South, Queensland 4558