

Cooking collection

Instructions for Use and Warranty Details

RH24X - 600mm Fixed Stainless Steel Rangehood

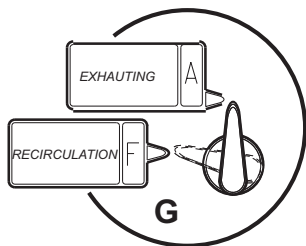
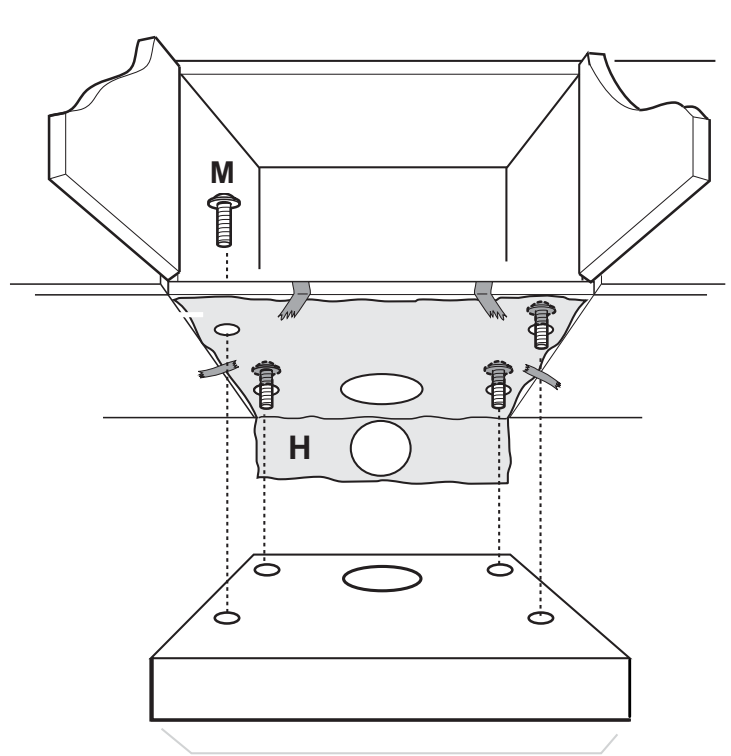
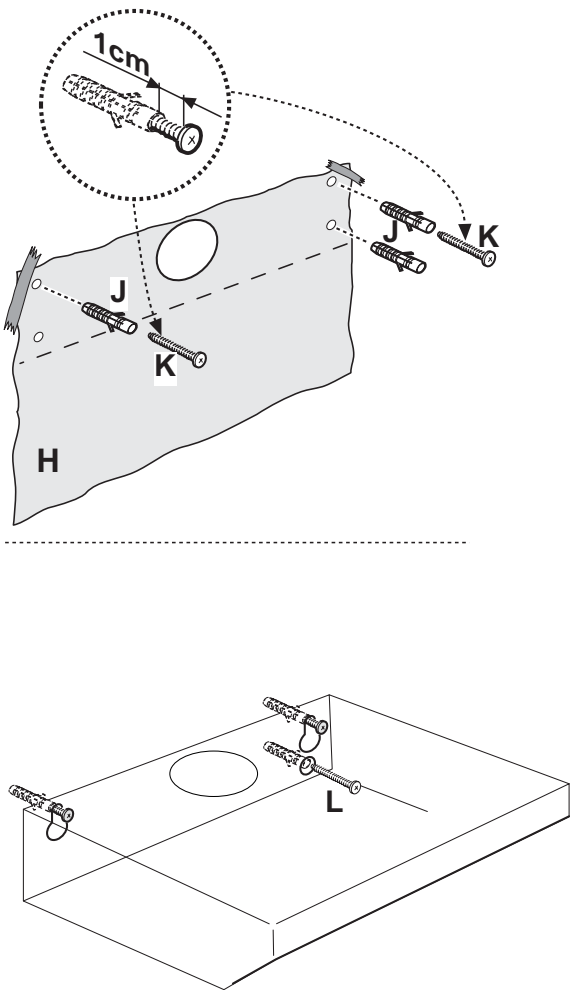
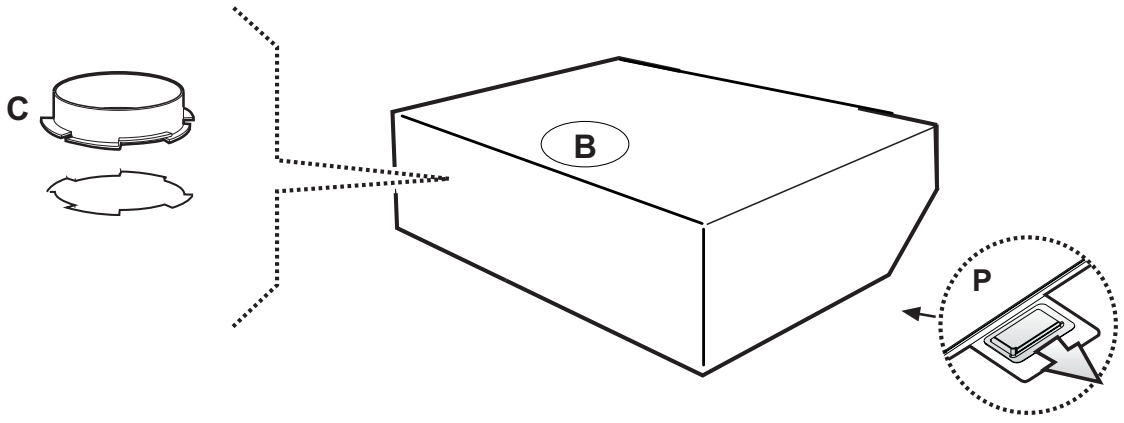
RH24W - 600mm Fixed White Rangehood

Congratulations on the purchase of your new appliance. This appliance has been designed and manufactured to give you years of reliable performance.

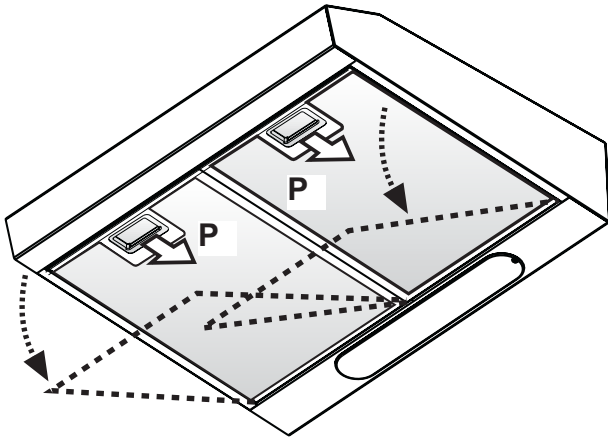
For best results, carefully read the instructions on how to install your new appliance. Correct installation will avoid delays and unnecessary service calls.

Once installation is complete, read this booklet carefully and get to know the controls and the features of your new appliance.

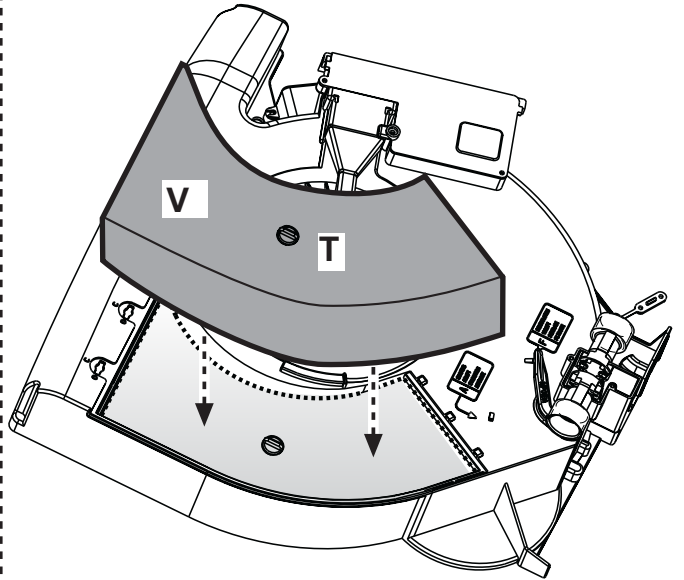
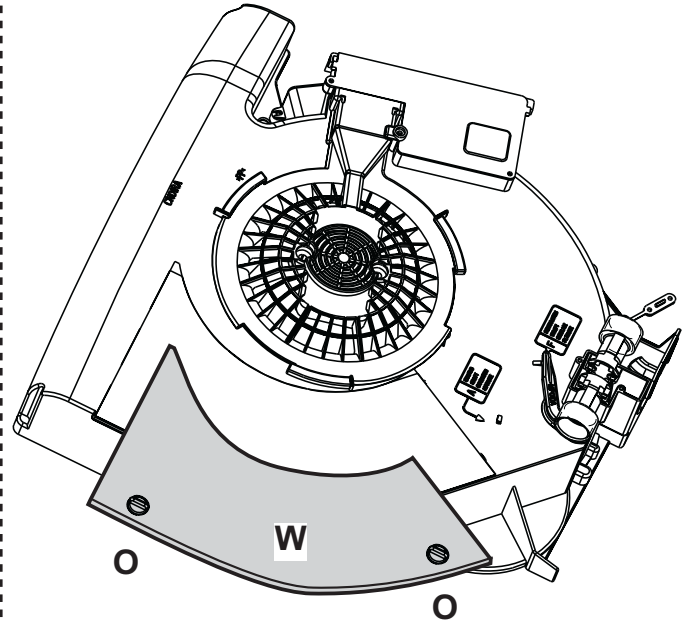
We reserve the right to alter the specifications with no influence on the operation of the appliance. This instruction manual cannot be reason for a claim.



Self-supporting metal Filter



Carbon Filter



SAFETY WARNING

- Only qualified installers are authorised to carry out installation. The installer is responsible for commissioning the appliance in accordance with the current Australian standards and requirements under law.
- The appliance is intended solely for domestic use. The manufacturer shall not be held responsible for any accident that may be caused because of improper use.
- Switch off the power supply to the equipment before starting the installation.
- The plug to be connected to the power supply cable and the relative socket must be the same type and must comply with current Australian standards.
- After installing the appliance make sure that the plug is accessible to allow the periodical check-up.
- Always remember to remove all plastic protection before using the appliance.
- Before using the appliance we recommend reading this manual and all the warnings it contains thoroughly.
- In the event of a malfunction, do not attempt to repair the appliance. Disconnect the appliance from the mains and contact your nearest Kleenmaid service centre on 1300 652 100.
- Do not pull out the plug by pulling the cable.
- The appliance cannot be connected to flues of other appliances that run on energy sources other than electricity.
- When the appliance is used at the same time as other appliances that run on energy sources other than electricity, provision must be made for an adequate supply of air.
- The electric installation shall be equipped with a safety device, able to disconnect the appliance from mains in all wires, with the distance between contacts of not less than 3 mm in open position.
- No food must be cooked flambé underneath the appliance. The use of an unprotected flame is dangerous for the filters and could cause fires. Therefore, never use an open flame under the appliance.
- When frying foods, never leave the pan alone because the cooking oil could flare up.
- Please keep to current Local Building Standards regarding fume discharge.
- The identification plate, with the technical data, serial number and marking, can be found inside the appliance. The plate must never be removed.
- The appliance is not intended for use by young children or infirm persons without supervision.
- Never allow children to come near the appliance or to play with it. Be careful not to leave objects on the appliance that may attract children's attention. Always keep children at a safe distance from the appliance.
- Discarded appliances must be delivered solely to a specialised waste collection centre.
- Switch off the power supply to the equipment before cleaning.
- Do not clean the surfaces of the appliance when they are still hot.
- Do not use pressure or steam spray guns to clean the appliance.
- Failure to clean the appliance and replace and clean the filters as described in this manual will generate a fire hazard. Please keep to the instructions given.

The manufacturer shall not be held responsible for any injury or damage that may be caused by failure to fully comply with the instructions and recommendations in this manual, the tampering of any of the appliance components or the use of non-original spares.

Closely follow the instructions set out in this manual. All responsibility, for any eventual inconveniences, damages or fires caused by not complying with the instructions in this manual, is declined.

Systems Available

Venting Outdoors

The rangehood has an upper air duct **B** for external fumes exit.

Apply the flange **C** supplied.

Check that the **filter/suction selector** (inside the rangehood) **G** is in the **suction (A)** position.

Recirculating method - In the case where it is not possible to discharge the cooking fumes externally, the rangehood may be used in the **filter version** by fixing a carbon filter. The fumes and vapours are recycled via the anterior grill placed above the control panel. Check that the **filter/suction selector** (inside the rangehood) **G** is in the **filter (F)** position.

Installation – Do not tile, grout or silicone this appliance to the wall. Surface mounting only. Do not fix chimney flue to furniture or flyover shelves unless the chimney flue can be easily removed in case maintenance is ever required. The rangehood must be placed at a minimum distance of 650mm from either gas, electric or combination cooktops. Please check this measurement with your local gas, electrical and building authority. The rangehood maybe installed on the wall or on the base of a cabinet; if supplied use the hole gauge **H** to drill the correct distance, or lean the cooker hood on the wall or on the base of the cabinet and mark the holes with a pencil.

Wall mounting – Insert the wall screw anchors **J** in the drilled holes and the two **K** screws in the upper drill holes. Remove the grill and hook the rangehood to the 2 screws, finally from the inside, insert the third screw **L** and lock them all in.

Cabinet fixing – Affix the rangehood with the 4 **M** screws from inside the cabinet.

Electrical connection – The electrical tension must correspond to the tension noted on the label placed inside the rangehood. Connect the electrical plug, where provided to an easily accessible outlet in conformity with local standards in force. Where an electrical plug is not provided (for direct connection to electrical network) place a standards approved bipolar switch with an aperture distance of not less than 3mm (accessible) from the contacts.

Operation – The control panel is situated on the front of the rangehood and equipped with 3 fan speeds. Use the highest speed 3 for situations of high level vapour concentration in cooking. It is advisable to switch on the fan at least 5 minutes prior to cooking and leave it in operation for approximately 15 minutes after cooking has terminated.

The slide control light switch is located above the fan control. Slide across to switch on.

Maintenance – Prior to any maintenance operation ensure that the rangehood is disconnected from the electrical outlet.

Cleaning – The rangehood should be cleaned regularly internally and externally. For cleaning use a soft cloth moistened with a mild detergent. Do not use abrasive cleaners.

Grease Filter

Removing - The self supporting metal filter has an unlimited life. In order to remove the filter pull the release springs **P** backwards and slide the filter downwards.

Cleaning - Wash every month in warm soapy water, or, if possible, in the dishwasher (60°C). Let dry before reinstalling it.

PLEASE NOTE: The grease filter may discolour after washing in a dishwasher. This will not however affect the performance of the grease filter. Remount the filter after it has dried thoroughly.

Carbon Filter - The use of a charcoal filter is necessary when the rangehood cannot be vented outdoors either because ducting is not available or cannot be installed. The charcoal filter serves to eliminate odours that form during the cooking process. Under normal use conditions, the filter should be replaced every 4 months. For replacement charcoal filters please contact your nearest Kleenmaid Store on 131308. The charcoal filter must never be washed.

Removing or replacing

To fit or replace a carbon filter:

- a. Request a charcoal filter from the retailer, specifying the model and type of rangehood.
Caution! Some charcoal filters come covered with a plastic film to protect their filtering properties. If this is the case, remove the film before installing the filter.

- b. Remove cover **W** by rotation the **O** knobs 90°.
- c. Place the activated carbon filter **V** in position. Turn the knob **T** 90°.
- d. Reinstall the cover and rotate the knobs **O** to lock back into place by turning 90°.

Attention!

Failure to observe the instructions for cleaning the appliance and changing and cleaning the filters may cause fires. Therefore, we recommend observing these instructions.

Replacing lightbulbs – Unscrew the damaged light bulb and replace with an incandescent oval screw in bulb with a maximum of 40W E14. Remove the grill in order to reach the light bulb area.

Caution – This appliance is designed to be operated by adults. Children should not be allowed to tamper with the controls or play with the appliance.

Do not use the rangehood where the grill is not correctly fixed! The suctioned air must not be conveyed in the same channel used for fumes discharged by appliances powered by other than electricity. The environment must always be adequately aerated when the rangehood and other appliance powered by other than electricity are used at the same time. Flambe cooking with a rangehood is prohibited. The use of a free flame is damaging to the filters and may cause fire accidents. Therefore free flame cooking must be avoided. Frying of foods must be kept under close control in order to avoid overheated oil catching fire. Carry out fumes discharging in accordance with the regulations in force by local laws for safety and technical restrictions.

WARRANTY AND SERVICE

DOMESTIC WARRANTY - FULL FIVE YEAR WARRANTY

In addition to all statutory rights which you, the Consumer, have under the relevant laws in respect of this appliance, during the first five years of ownership as the original purchaser of this Kleenmaid appliance, we guarantee that any fault caused by faulty material or workmanship becoming apparent will be rectified free of charge for parts and labour, provided that all service is performed during normal working hours by Kleenmaid or their designated Agents. Where the appliance is installed outside the normal servicing area of the above, the Purchaser must pay for the cost of transporting the appliance to and from the Agent or the Agent's travelling cost to and from the Purchaser's home.

COMMERCIAL WARRANTY - ONE YEAR WARRANTY

When this appliance is installed in a commercial application, you, the Consumer, have under the relevant laws in respect of this appliance, during your first one year of ownership as the original purchaser of this Kleenmaid appliance, we guarantee that any fault caused by faulty material or workmanship becoming apparent, will be rectified free of charge for parts and labour, provided that all service is performed during normal working hours by Kleenmaid or their designated Agents. Where the appliance is installed outside the normal servicing area of the above, the Purchaser must pay for the cost of transporting the appliance to and from the Agent or the Agent's travelling cost to and from the Purchaser's home.

WHAT THESE WARRANTIES DO NOT COVER

We are not responsible for any damage or malfunction unless caused by a defect in material or workmanship. This includes but is not limited to abuse, misuse, improper installation and transportation damage. We are not responsible for any consequential damages from any malfunction.

The Consumer must make the appliance available for servicing and shall bear any costs incurred for any de-installation and/or re-installation required to make the appliance available for servicing. Kleenmaid is not liable for any consequential damage incurred during de-installation or re-installation.

WARRANTY DOES NOT COVER REPLACEMENT OF LIGHT GLOBES OR GLASS BREAKAGE DUE TO IMPACT

In case of fractured glass do not use your appliance.

WARRANTY REGISTRATION

Please complete warranty details below and retain together with your proof of purchase document. These documents will need to be viewed by our Service Representative should you request in warranty service.

SERVICE ASSISTANCE

To assist you when phoning our After Sales Service number to arrange a service call please complete the following details and have them ready when you call.

Model Number _____ Date of purchase _____

Kleenmaid Store purchased from _____ Date of installation _____

KLEENMAID AFTER SALES SERVICE

1300 652 100

**Other products available in the Kleenmaid
Range of appliances**

Washers

Dryers

Dishwashers

Ovens

Cooktops

Outdoor Cooking Centres

Built In Espresso Coffee Machines

Rangehoods

Freestanding Ranges

Sinks

Waste Disposals

Taps

Cookware

Refrigerators

Freezers

Wine Cellars

Vacuum Cleaners

**For sales information on the full range of quality appliances
Phone 13 13 08**

