

# Cooking collection

## Instructions for Use and Warranty Details

**RH23W** - 600mm Fixed White Rangehood  
**RH23X** - 600mm Fixed Stainless Steel Rangehood

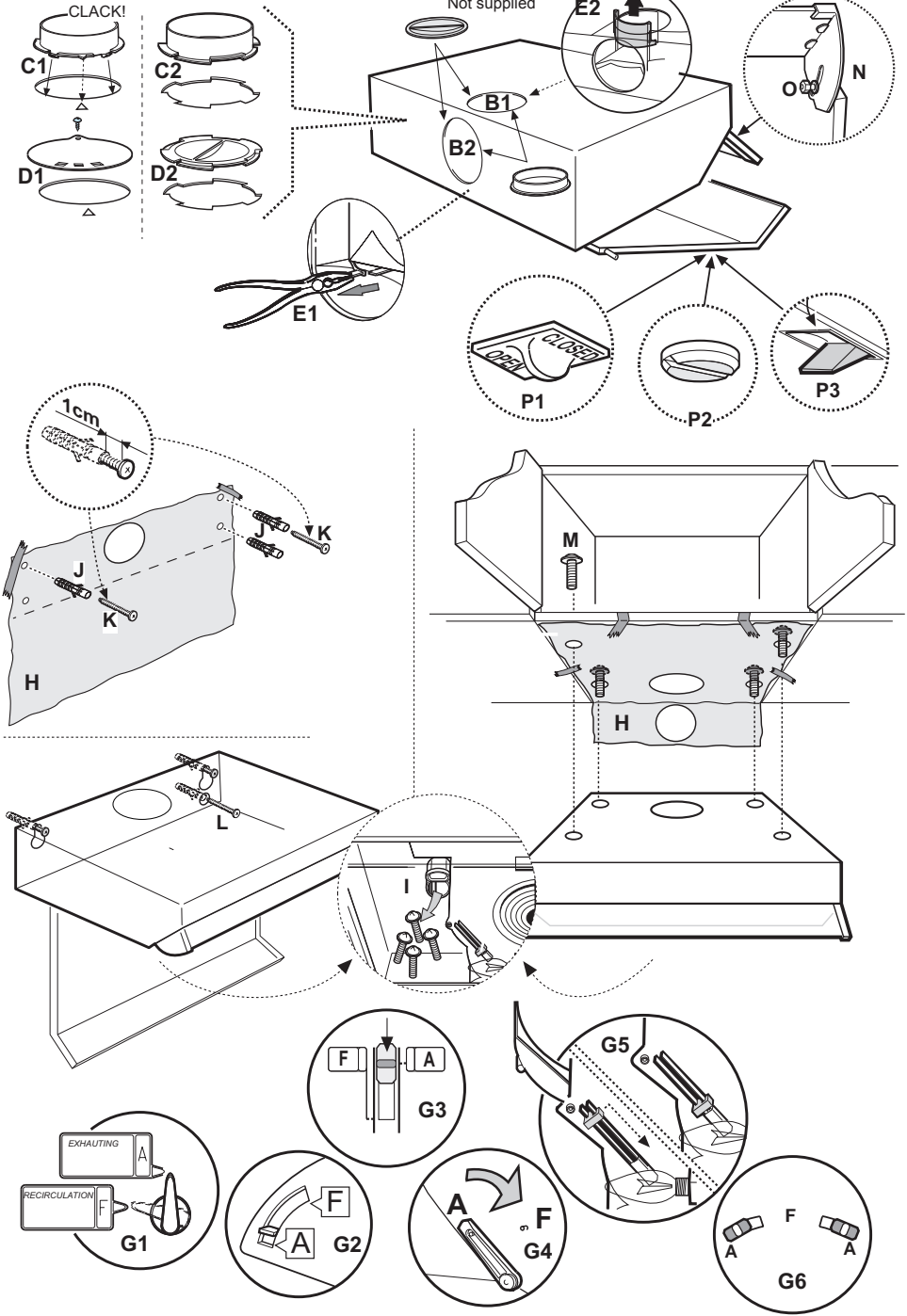
**C**ongratulations on the purchase of your new appliance. This appliance has been designed and manufactured to give you years of reliable performance.

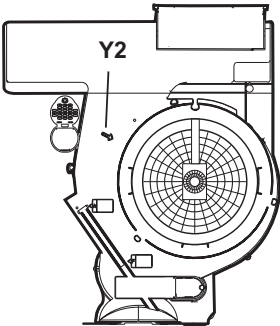
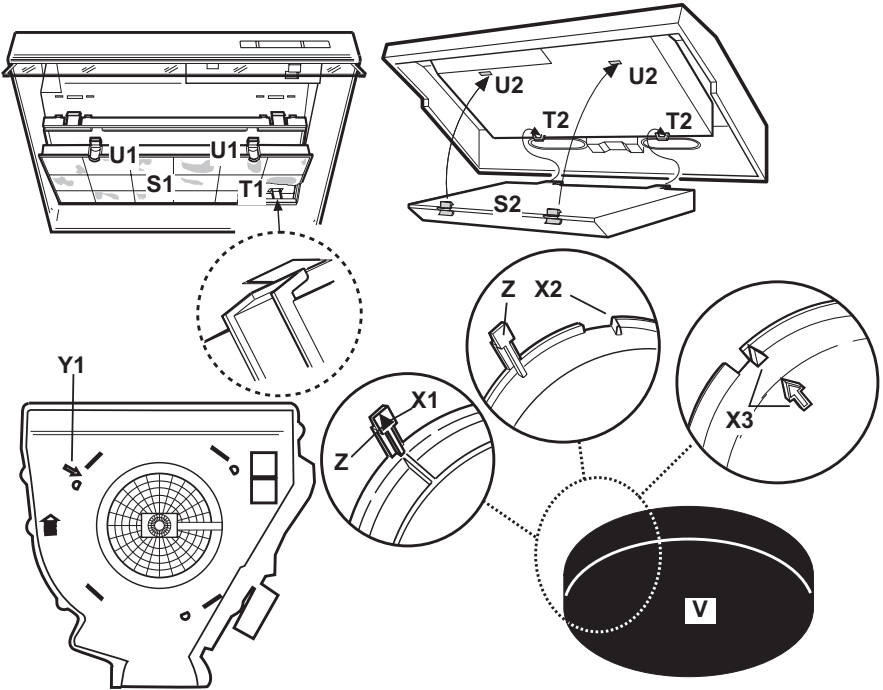
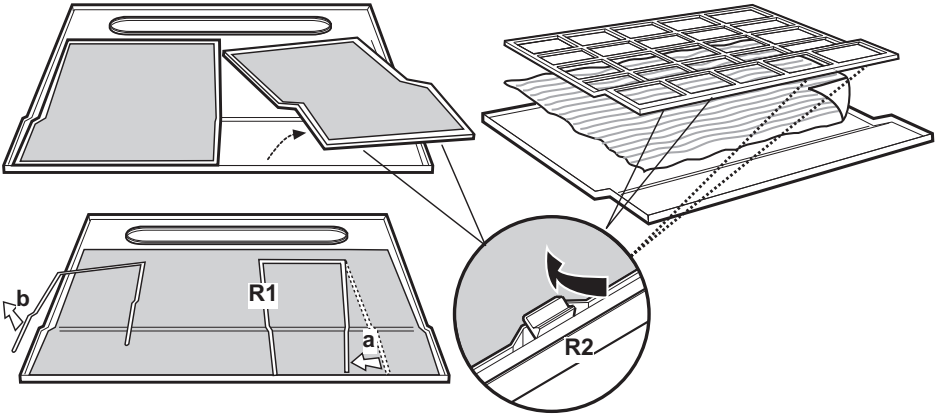
**For best results, carefully read the instructions on how to install your new appliance. Correct installation will avoid delays and unnecessary service calls.**

**Once installation is complete, read this booklet carefully and get to know the controls and the features of your new appliance.**

**We reserve the right to alter the specifications with no influence on the operation of the appliance. This instruction manual cannot be reason for a claim.**

Pipe size = 100mm  
Not supplied





Consult the designs in the front pages referenced in the text by alphabet letters.

### **Closely follow the instructions set out in this manual**

The cooker hood has an upper air duct **B1** and an optional rear air duct **B2**, for external fumes exit.

Select the suitable air duct and apply the flange **C** supplied, ensure to close the unused hole duct with **tap D** supplied if provided.

**Caution!** In some models the rear hole duct is not easily accessible, even when the tap (if mounted) is removed, in this case remove the plastic piece **E1** or **E2** that is blocking the hole duct, by unwinding using pliers and cutter. Check that the **filter/suction selector** (inside the cooker hood) **G** is in the **suction (A)** position. In the case where it is not possible to discharge the cooking fumes externally, the cooker hood may be used in the **filter version** by fixing a carbon filter, the fumes and vapours are recycled via the anterior grill placed above the control panel. Check that the **suction/filter selector** is in the **filter (F)** position.

The models provided without suction motor may function only in the suction version and must be connected to a peripheral suction unit (not supplied).

**Electrical connection:** The electrical tension must correspond to the tension noted on the label placed inside the cooker hood. Connect the electrical plug, where provided, to the an easily accessible outlet in conformity with local standards in force.

Where an electrical plug is provided (for direct connection to electrical network) place a standards approved bipolar switch with an aperture distance of not less than 3mm (accessible) from the contacts.

**Installation:** The cooker hood must be placed at a minimum distance of 65 cm from the cooking plane for electric cookers, gas or mixed cookers. The cooker hood may be installed on the wall or on the base of a cabinet; if supplied, use the hole gauge **H** to drill the correct distance, otherwise lean the cooker hood on the wall or on the base of the cabinet and mark the holes with a pencil (at least 3 holes of Ø8mm for wall mounting or 4 holes of Ø8mm for cabinet base mounting – in some cases the 4 fixing screws for cabinet mounting are placed in the I container situated inside the cooker hood, in any case the screws must be removed to prevent noise during operation).

**Wall mounting :** insert the wall screw anchors **J** in the drilled holes and the two **K** screws in the upper drill holes, remove the grill and hook the cooker hood to the 2 screws, finally from the inside, insert the third screw **L** and lock them all in.

**Cabinet fixing:** affix the cooker hood with the 4 **M** screws from inside the cabinet.

**Caution:** This appliance is designed to be operated by adults. Children should not be allowed to tamper with the controls or play with the appliance.

Do not use the cooker hood where the grill is not correctly fixed! The suctioned air must not be conveyed in the same channel used for fumes discharged by appliances powered by other than electricity. The environment must always be adequately aerated when the cooker hood and other appliances powered by other than electricity are used at the same time. Flambé cooking with a cooker hood is prohibited. The use of a free flame is damaging to the filters and may

cause fire accidents, therefore free flame cooking must be avoided. Frying of foods must be kept under close control in order to avoid overheated oil catching fire. Carry out fumes discharging in accordance with the regulations in force by local laws for safety and technical restrictions.

**Operation:** The control panel is situated on the front right of the cooker hood and is equipped with various suction speeds. Use the highest speed for situations of high level vapour concentration in cooking. Always open the **vapour collector N** (Some models have an adjustable to the right or left **O** button). It is advisable to switch on the suction at least 5 minutes prior to cooking and leave it in operation for 15 minutes approximately after cooking is terminated.

### **Maintenance**

**Prior to any maintenance work disconnect the cooker hood from the electrical connection.**

**Grease Filter – may be one of the following types:**

**Paper filter** must be replaced once a month or if coloured on the top side, when the coloration is evident via the holes in the grill.

**Sponge filter** should be washed once a month and replaced every 5/6 washes.

**Metallic filter** must be cleaned once a month with suitable detergents either by hand or in dishwasher (65°C).

In order to remove the grease filter **open the grill** via the **P** hooks and free the **R1** or **R2** stoppers.

### **Carbon Filter (only for filter versions)**

The active carbon filter is not washable nor regenerative. *The active carbon filter traps unpleasant cooking odours.* Mounted inside the cooker hood covering the motor protector grill – it may be one of the following types:

**Rectangular S1 or S2:** to be replaced every 6 months

**Affixing:** insert the rear side **T** and hook further to the front (**U**).

**Circular (V-various models):** to be replaced every 4 months.

**Bayonet mount** position the filter in the middle of the motor protection grill covering ensuring that the reference to **X1** or **X2** or **X3** on the carbon filter match the **Y1** or **Y2** references on the conveyor, then turn clockwise; in case of dismantling turn anticlockwise, if provided with a **Z** tape remember to gently lift first.

**Light bulb replacement:** Unscrew the damaged light bulb and replace with an incandescent oval light bulb with a maximum of 40W E14. Remove the grill in order to reach the light bulb area.

**Cleaning:** The cooker hood should be cleaned regularly internally and externally.

For cleaning use a cloth moistened with denatured alcohol or neutral liquid detergents. Avoid abrasive detergents. Failure to carry out the basic standards of the cleaning of the cooker hood and replacement of the filters may cause fire risks.

The manufacturers refuse to accept any responsibility for damage to the hood or its catching on fire because of failure to observe the above instructions.

# WARRANTY AND SERVICE

## DOMESTIC WARRANTY - FULL FIVE YEAR WARRANTY

In addition to all statutory rights which you, the Consumer, have under the relevant laws in respect of this appliance, during the first five years of ownership as the original purchaser of this Kleenmaid appliance, we guarantee that any fault caused by faulty material or workmanship becoming apparent will be rectified free of charge for parts and labour, provided that all service is performed during normal working hours by Kleenmaid or their designated Agents. Where the appliance is installed outside the normal servicing area of the above, the Purchaser must pay for the cost of transporting the appliance to and from the Agent or the Agent's travelling cost to and from the Purchaser's home.

## COMMERCIAL WARRANTY - ONE YEAR WARRANTY

When this appliance is installed in a commercial application, you, the Consumer, have under the relevant laws in respect of this appliance, during your first one year of ownership as the original purchaser of this Kleenmaid appliance, we guarantee that any fault caused by faulty material or workmanship becoming apparent, will be rectified free of charge for parts and labour, provided that all service is performed during normal working hours by Kleenmaid or their designated Agents. Where the appliance is installed outside the normal servicing area of the above, the Purchaser must pay for the cost of transporting the appliance to and from the Agent or the Agent's travelling cost to and from the Purchaser's home.

## WHAT THESE WARRANTIES DO NOT COVER

We are not responsible for any damage or malfunction unless caused by a defect in material or workmanship. This includes but is not limited to abuse, misuse, improper installation and transportation damage. We are not responsible for any consequential damages from any malfunction.

The Consumer must make the appliance available for servicing and shall bear any costs incurred for any de-installation and/or re-installation required to make the appliance available for servicing. Kleenmaid is not liable for any consequential damage incurred during de-installation or re-installation.

## WARRANTY DOES NOT COVER REPLACEMENT OF LIGHT GLOBES OR GLASS BREAKAGE DUE TO IMPACT

In case of fractured glass do not use your appliance.

## WARRANTY REGISTRATION

Please complete warranty details below and retain together with your proof of purchase document. These documents will need to be viewed by our Service Representative should you request in warranty service.

## SERVICE ASSISTANCE

To assist you when phoning our After Sales Service number to arrange a service call please complete the following details and have them ready when you call.

Model Number \_\_\_\_\_ Date of purchase \_\_\_\_\_

Kleenmaid Store purchased from \_\_\_\_\_ Date of installation \_\_\_\_\_

**KLEENMAID AFTER SALES SERVICE**  
**1300 652 100**

**Other products available in the Kleenmaid  
Range of appliances**

**Washers**

**Dryers**

**Dishwashers**

**Ovens**

**Cooktops**

**Outdoor Cooking Centres**

**Built In Espresso Coffee Machines**

**Rangehoods**

**Freestanding Ranges**

**Sinks**

**Waste Disposals**

**Taps**

**Cookware**

**Refrigerators**

**Freezers**

**Wine Cellars**

**Vacuum Cleaners**

**For sales information on the full range of quality appliances  
Phone 13 13 08**