

# RANGEHOOD

c o l l e c t i o n

## **Instructions for Use and Warranty Details**

Rangehoods RH20 RH21 RH22

**KLEENMAID**  
THE WORLD'S BEST

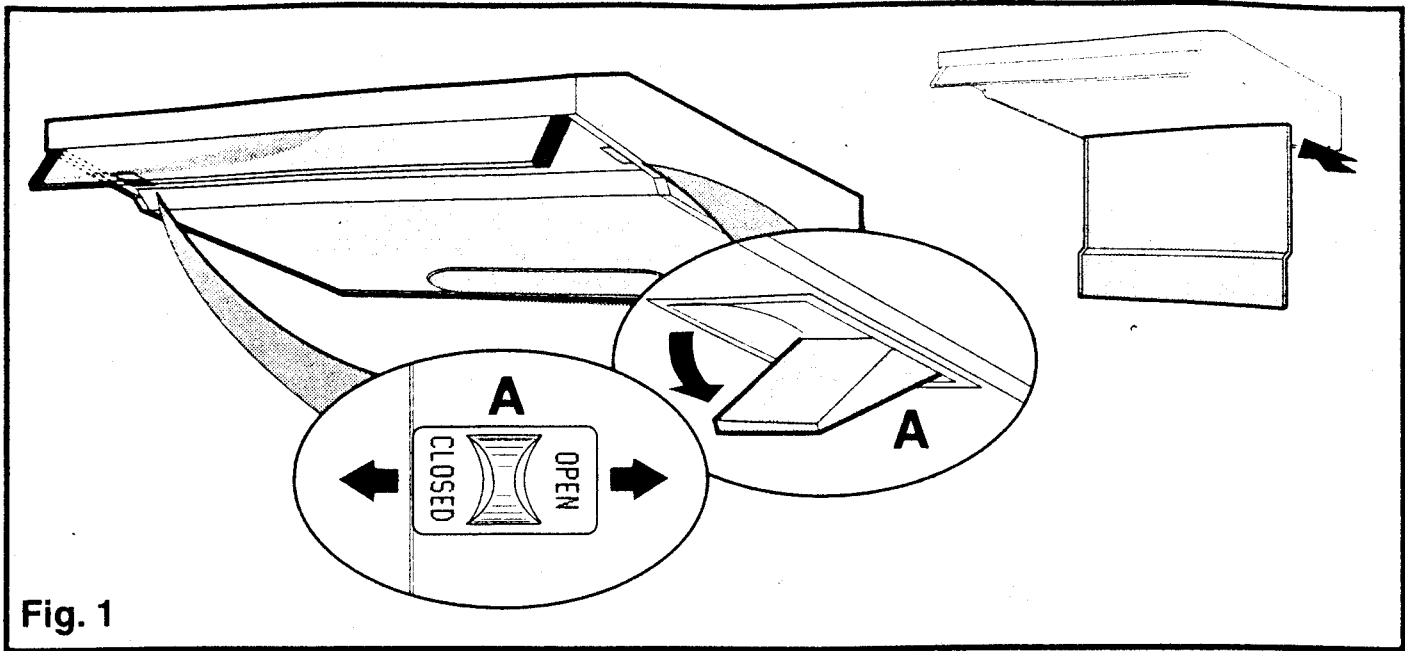


Fig. 1

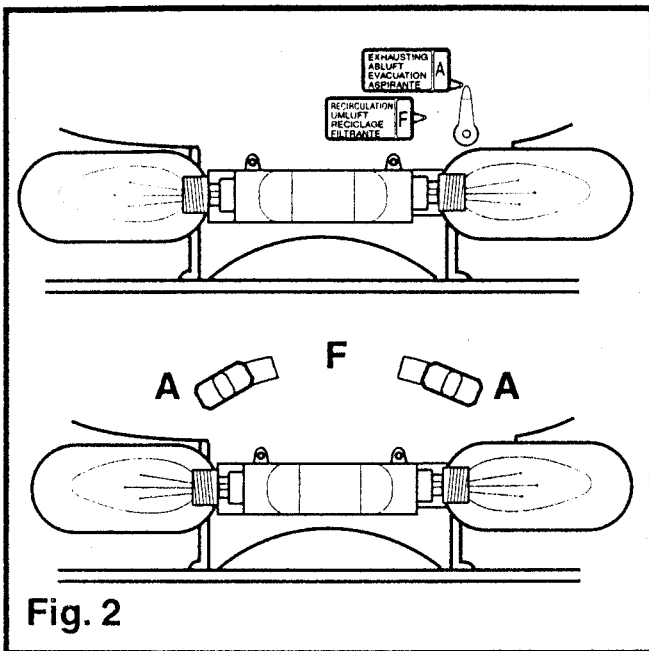


Fig. 2

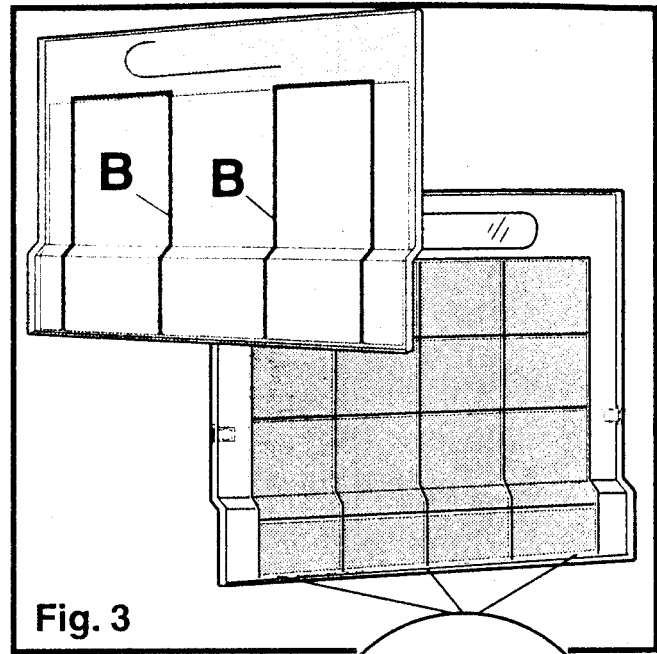


Fig. 3

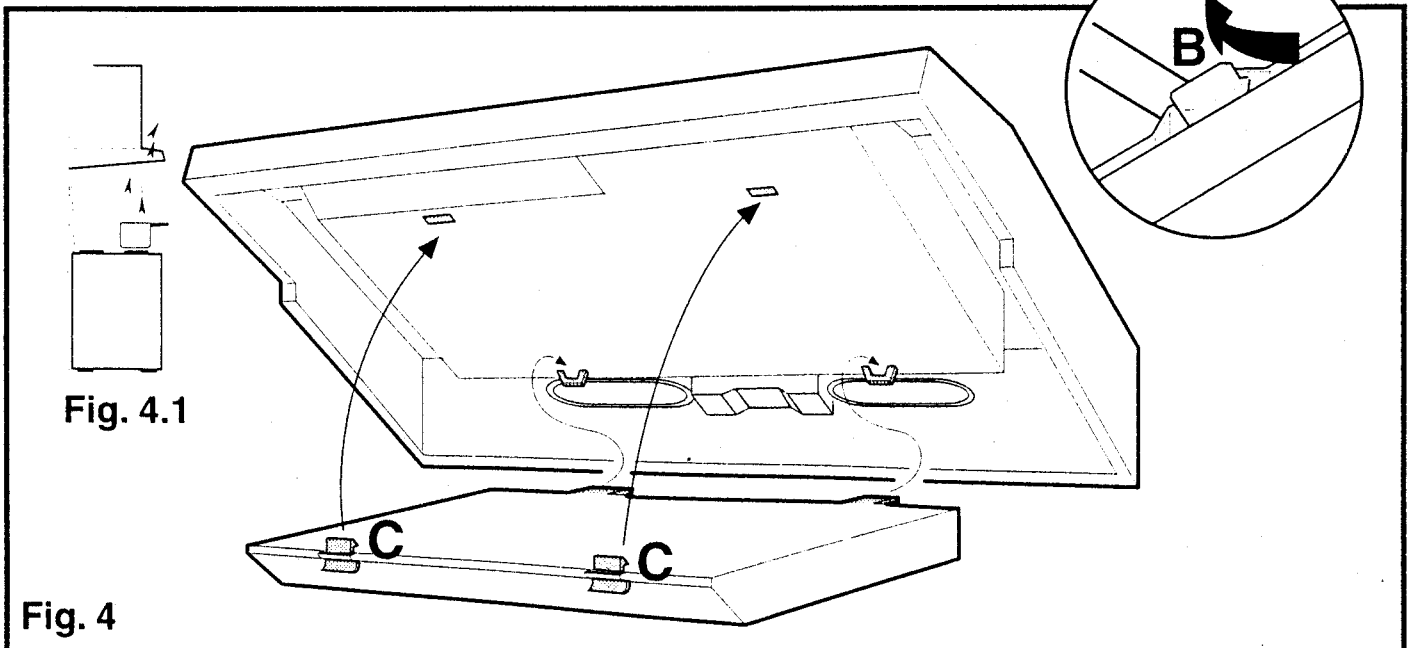


Fig. 4

Fig. 4.1

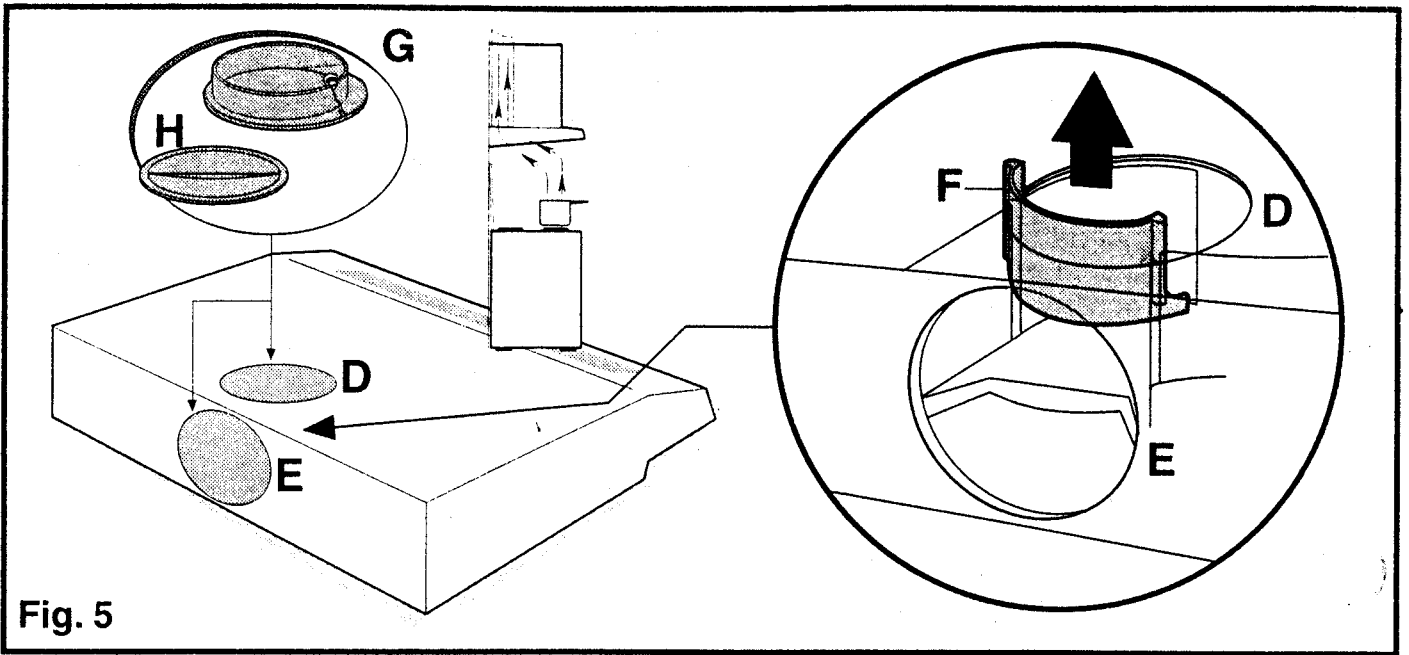


Fig. 5

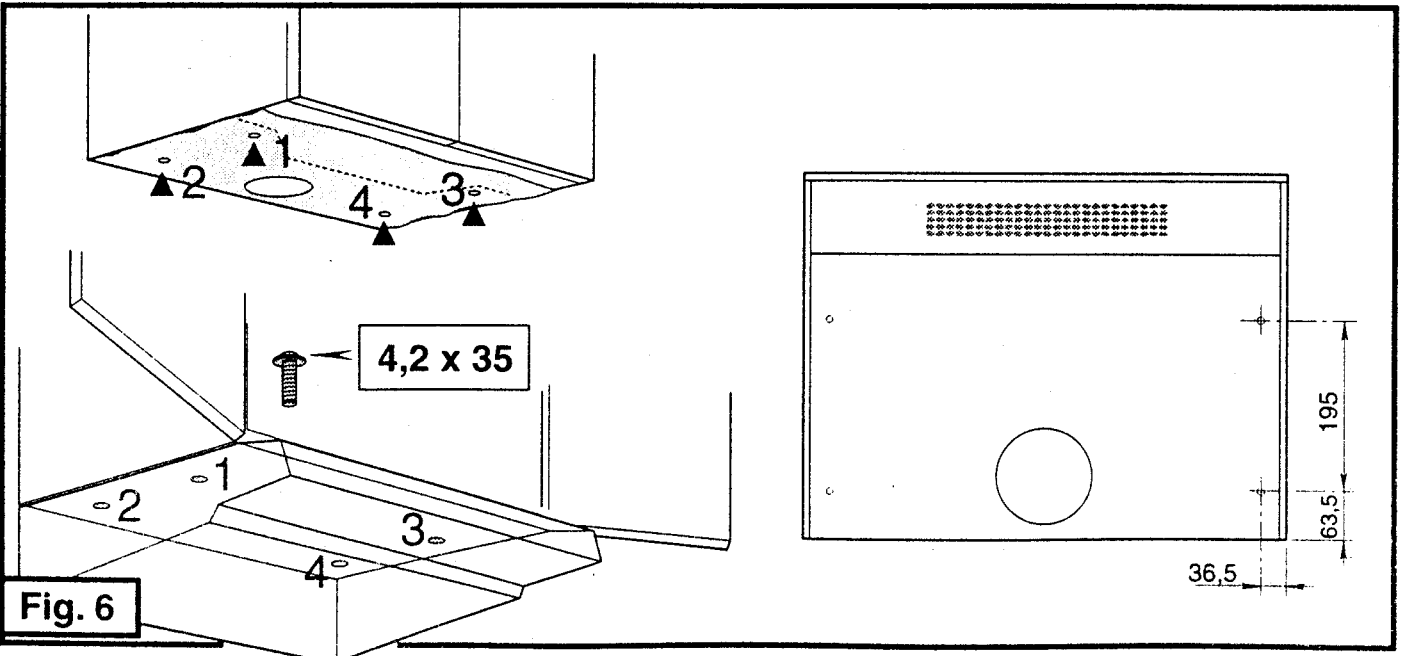


Fig. 6

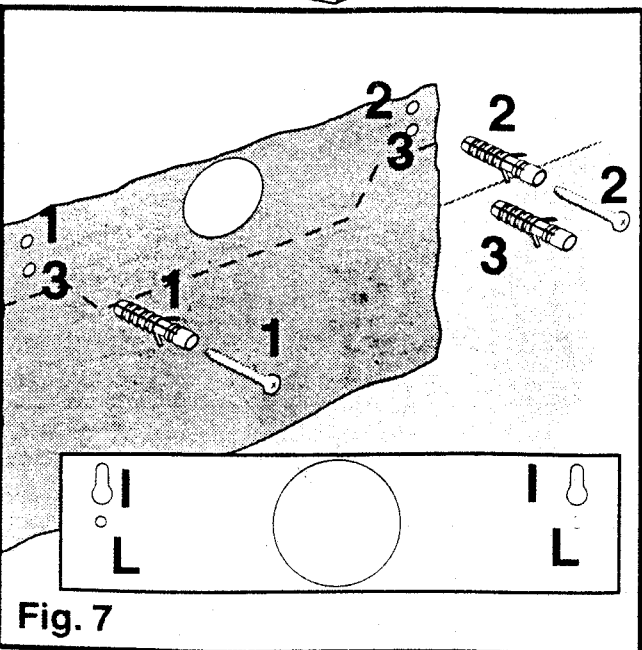


Fig. 7

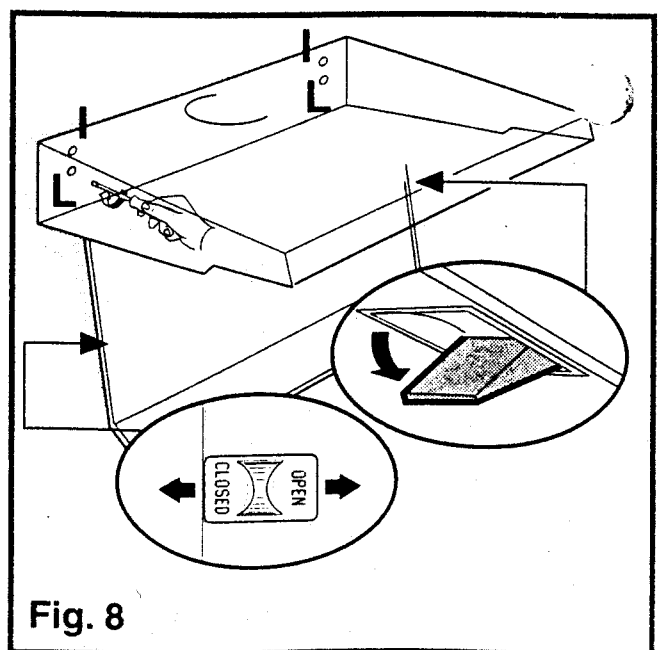


Fig. 8



## Use

Two systems are available:

- External exhaust system
- Recycle system (filtering)

## Using the hood

**Important!** Before using the hood for the first time, check the following:

- Open the suction grid (Fig.1).  
Check that the selection device for evacuation/recycle is in the correct position : *A* - external evacuation. *F* - recycle (Fig.2)  
**A - external evacuation:** remove the active carbon filter (if fitted).  
**F - recycle:** check that the active carbon filter is fitted.
- Refit the suction grid.

It is advisable to switch on the extractor hood a few minutes before starting cooking and then to leave it running for approximately 10 minutes afterwards to ensure that all odours are extracted.

On the front part of the appliance there are the control switches, which change according to the type of hood.

## Maintenance

Before performing any maintenance operation, disconnect the hood from the *electricity*.

### Grid opening

- Open the latch **L** and rotate the grid downwards (fig. 1).
- To remove, pull forward from the right hand side and unhook.

### Grease filter

The grease filter traps the suspended grease particles.

- 1) The synthetic filter** (thickness about 10-15 mm) in normal use is washed once a month and replaced after 5 or 6 washings.  
Wash it in warm water a biodegradable detergent. Let it dry without wringing .

- 2) The thin synthetic filter** (thickness about 1 mm.), is changed when the top coloring appears on the bottom.
- 3) The tin synthetic filter** (thickness about 1 mm.) without saturation indicator is replaced every two months with normal use.
- 4) The metal filter:** unlimited duration, should be washed every month with warm soapy water or, if possible, in the dishwasher (60°C).

Leave to dry before refitting it.

### Removing the grease filter:

In order to remove the grease filter, open the grid and release the clips **B** (Fig.3).

When cleaning the grease filter, wash the grate too with warm water and biodegradable detergent.

### Carbon Filter

- This is not washable and can not be reused.
- Replace every 6/8 months

### Mounting (Fig. 4):

- Fit first rearwards on the proper seats.
- Then fix frontwards the carbon filter using hooks **C**.

### Dismounting :

Unhook the carbon filter from its housing pushing hooks **C**.

### Attention

Failure to observe the rules for cleaning the appliance and changing and cleaning the filters may cause fires.

Therefore, we recommend observing these instructions.

### Cleaning

To clean the outside of the hood use a cloth moistened with denatured alcohol or neutral liquid detergents. Never use products containing abrasives.

Wipe brushed stainless steel in the same direction as the brushing to avoid scratching.

## Changing the lamp

- Disconnect the hood from the electricity.
- Remove the grate.
- Replace the damaged lamp with one of the same power:

### Bulb:

40W (E14) max.

- Before calling for repair service because the hood fails to light up, make sure the bulbs are screwed in tightly.

## Installation

These minimum distances between hobs and grease filter **must** be observed:

Minimum 600 mm - electric hobs

Minimum 700 mm - gas or mixed hobs

**Diameter of exhaust hoses** - Ø 120-100mm according to the dimension of the connection ring.

## External evacuation version - Fig.5)

The appliance has two exhaust holes:

One at the front **D**;

one at the back **E**.

**Important!** To use the back hole **E**, remove switch **F** from the top hole.

### Connecting the hood to the smoke exhaust hose:

Use the connecting ring **G** (bayonet coupling). Fix the ring with a screw (supplied).

Insert plug **H** in the unused exhaust hole (bayonet coupling).

Plug **H** is for closing the unused hole.

**Attention!** In the horizontal runs the duct must be slightly slanted (about 10°) and directed upwards to vent the air easily from the room to the outside.

## Recycling version (filtering)

The air is filtered through an active carbon filter and reintroduced into the room through the front grid (Fig.4.1).

## Electric connection

Before completing any connection, make sure the house voltage corresponds with the voltage indicated on the label affixed inside the hood

It is advisable to call a qualified technician to make the electrical connection.

### Appliance fitted with plug.

Connect it to a socket which conforms with current regulations.

If you intend to connect it directly to the electric mains, remove the plug and fit an approved bipolar switch with a minimum contact opening of no less than 3mm.

If the plug is not accessible once it has been inserted in the socket, it will however be necessary to fit an approved bipolar switch with a minimum contact opening of no less than 3mm.

### Appliance without plug

Fit an approved plug or an approved bipolar switch with a minimum contact opening of not less than 3mm.

The manufacturers are not liable for any problems caused by the user's failure to observe the above instructions.

## Fixing to the cabinet (Fig. 6)

- Make the holes on the bottom of the cupboard, using the drilling template (if supplied).
- From inside the cupboard, insert the 4 supplied screws and tighten them in the appropriate holes on the appliance.

## Fixing to the wall (Fig. 7-8)

- Fix the drilling template to the wall (if supplied).
- Make 3 Ø 8mm holes in the wall. 2 at points **I**, 1 as desired at points **L**.
- Insert the three Ø 8mm expansion plugs into the wall.
- Insert 2 5x45 screws at points **I** but **do** not tighten them completely.
- Fit the hood into holes **I**, tighten the 2 screws.
- From inside the hood, insert the third 5x45 screw into hole **L**.

## Attention!

- The hood cannot be connected to flues of other appliances that run on energy sources other than electricity.
- When the hood is used at the same time of other appliances that run on energy sources other than electricity, provision must be made for an adequate supply of air.
- No food must be cooked flambé underneath the hood.  
The use of an unprotected flame is dangerous for the filters and could cause fires.  
Therefore, never use an open flame under the hood. When frying foods, never leave the pan alone because the cooking oil could flare up.
- Please, keep to the provisions of official directives regarding the question of fume discharge.
- The manufacturers refuse to accept any responsibility for damage to the hood or its catching on fire because of failure to observe the above instructions.