

Cooking collection

Instructions for Use and Warranty Details

RH17 - 900mm Island Canopy Rangehood

Congratulations on the purchase of your new appliance. This appliance has been designed and manufactured to give you years of reliable performance.

For best results, carefully read the instructions on how to install your new appliance. Correct installation will avoid delays and unnecessary service calls.

Once installation is complete, read this booklet carefully and get to know the controls and the features of your new appliance.

We reserve the right to alter the specifications with no influence on the operation of the appliance. This instruction manual cannot be reason for a claim.

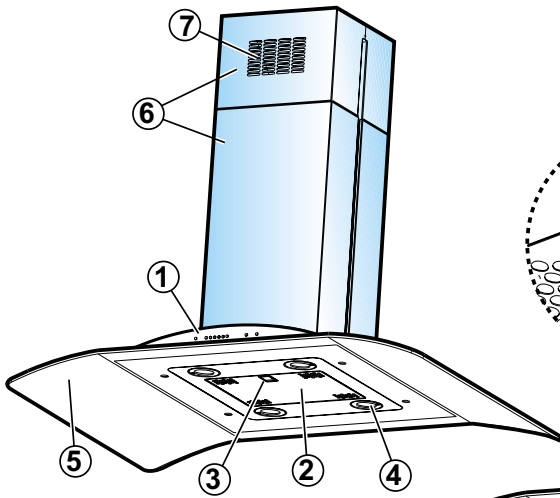


Fig. 1

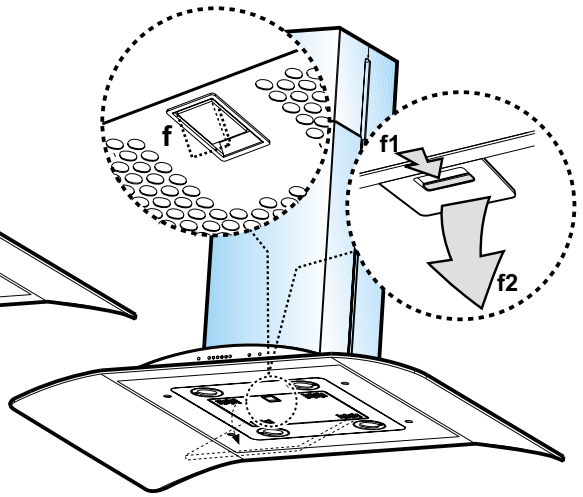


Fig. 2

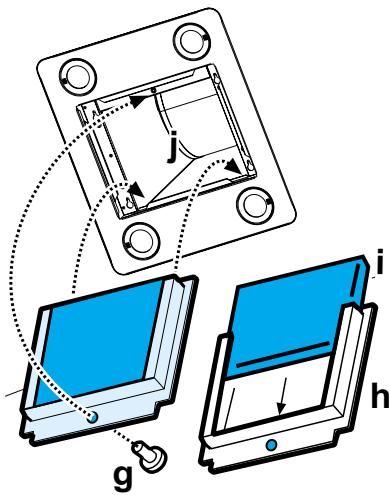


Fig. 3

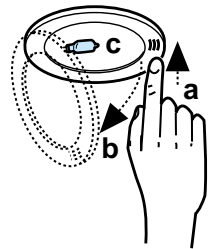


Fig. 4

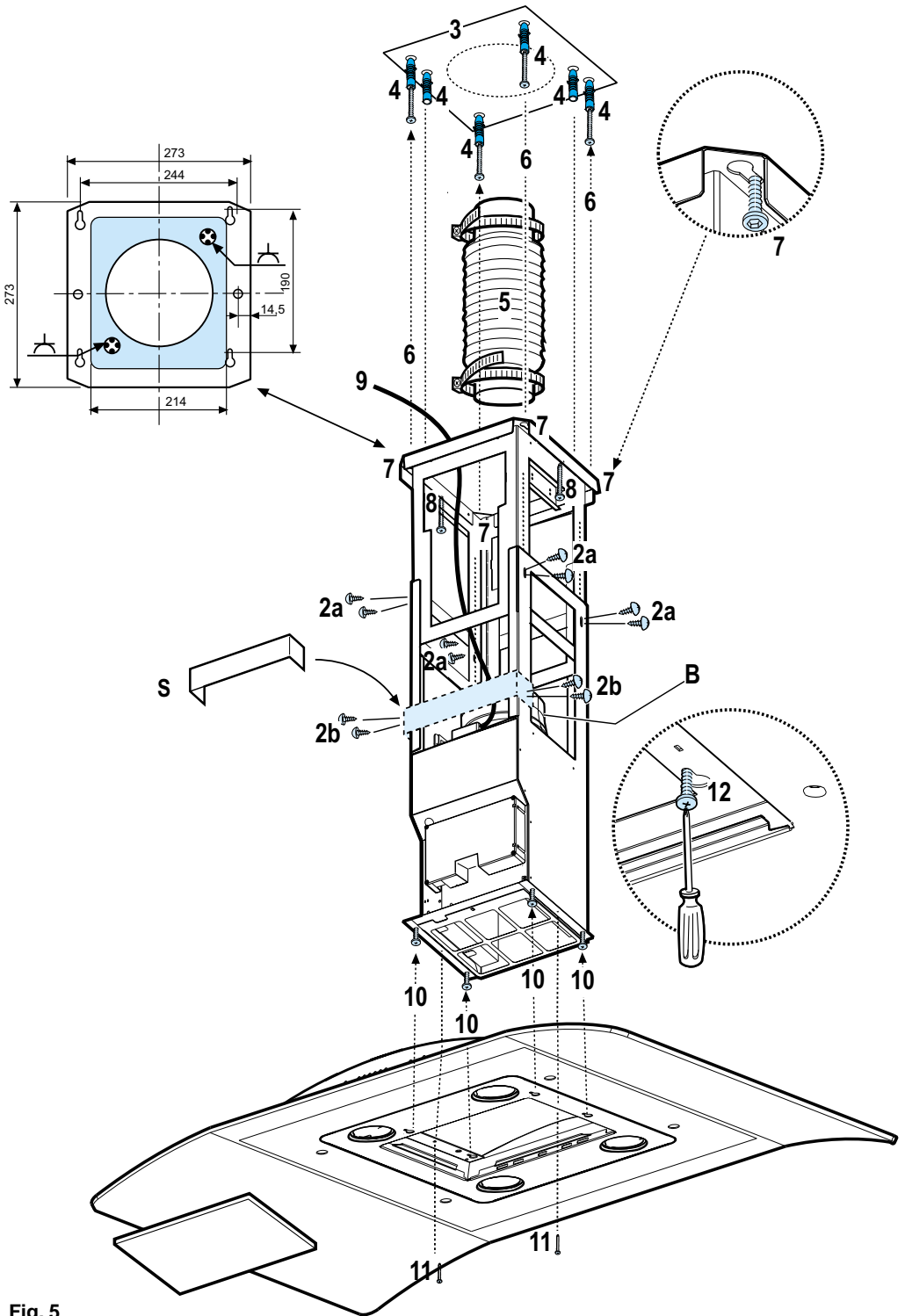


Fig. 5

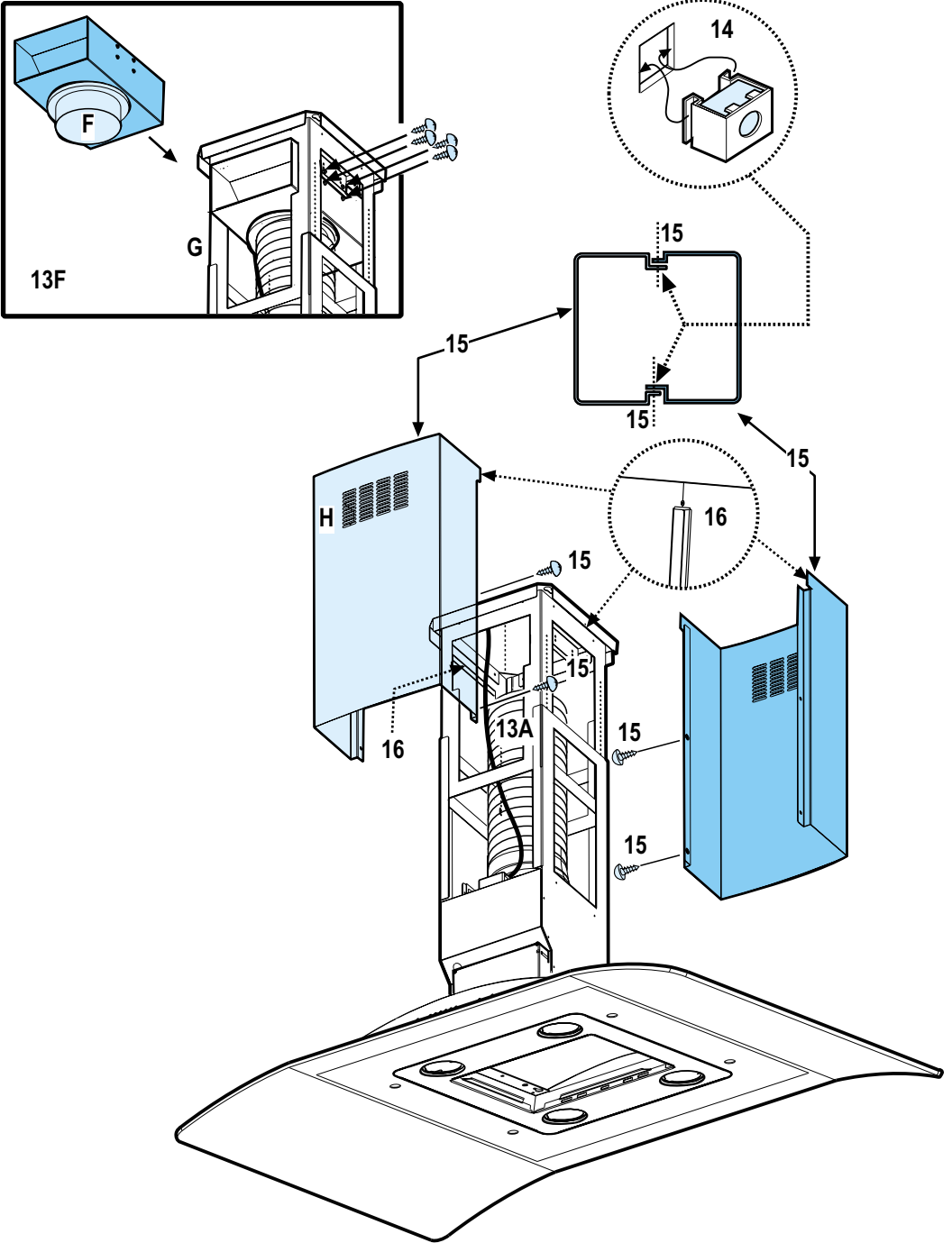


Fig. 6

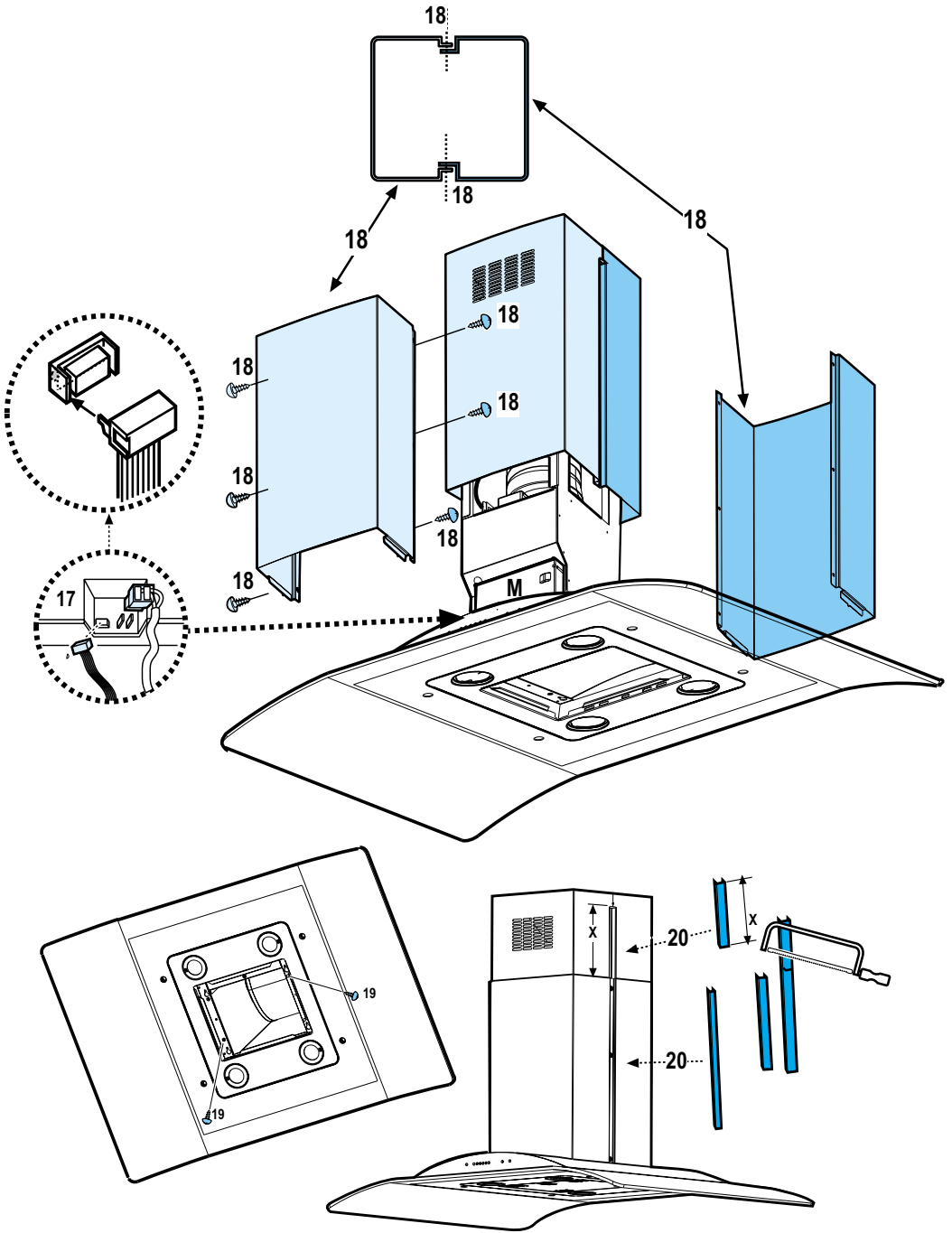


Fig. 7

Installation - Fig. 5-6-7

The Rangehood must be placed at a minimum distance of 650mm* above electric, gas or mixed cooktops. The recommended distance is 750mm*.

The hood is equipped with a top air outlet Fig5B for discharge of fumes to the outside (**Ducting version** – exhaust pipe and pipe fixing clamps not provided). Should it not be possible to discharge cooking fumes and vapour to the outside, the hood can be used in the **filter version**, fitting an activated carbon filter and the deflector F on the support (bracket) G, fumes and vapours are recycled through the top grille H by means of an exhaust pipe connected to the top air outlet B and the connection ring mounted on the deflector F (exhaust pipe and pipe fixing clamps not provided).

Preliminary information for installing the hood:

Expansion plugs are provided to secure the hood to most types of ceilings. However, a qualified technician must verify suitability of the materials in accordance with the type of ceiling. The ceiling must be strong enough to take the weight of the hood.

During electrical connection ensure the power supply is disconnected at the domestic main switch.

1. Adjust extension of the hood support structure, as the final height of the hood depends on this, and remember that with installation completed the hood must be at least 650mm* above electric, gas or mixed cooktops. The recommended distance for canopy or island is 750mm.*

***Please confirm these measurements with your Local Building Authority.**

2. **a.** Fix the two sections of the structure using 8 screws.
b. If the hood is provided with extensions longer than the minimum, fit the reinforcement bracket S to the frame, using 4 screws.
3. Place the ceiling hole diagram directly above the cook-top (the center of the diagram must match the center of the cook-top and the edges must be parallel to the sides of the cook-top – the side of the diagram with the wording FRONT corresponds to the control panel side). Prepare the electrical connection.
4. Drill as shown (6 holes for 6 wall plugs – 4 plugs for fixture), screw the outer screws leaving a space of about 1 cm. between the screw head and the ceiling.
5. Fit an exhaust pipe inside the truss and connect it to the motor compartment connection ring Fig 5B (exhaust pipe and fixing brackets are not supplied).
6. Hook the frame onto the 4 screws (see step 4).
CAUTION! The side of the truss with connection box corresponds to the side of the control panel with hood assembled.
7. Tighten the 4 screws.
8. Insert and tighten another 2 screws in the remaining free holes for secure fixing.
9. Carry out the electrical connection to the mains power

supply, only turn on the power supply upon completion of assembly.

10. Hook the hood onto the truss, ensuring it fits properly – to hook the hood onto the truss partially tighten 4 screws (see also step 12).
11. Secure the hood to the truss using two screws; this will also help center the two sections.
12. Tighten the 4 screws securing the truss to the hood.
13. For extractor versions (13A), connect the other end of the exhaust pipe to the flue.
For filter versions (13F), fit deflector F to the truss and secure it to the bracket supplied using 4 screws, then connect the exhaust pipe to the connection ring located on the deflector.
14. Fit the nuts with fixing hooks supplied inside the top and bottom sections of the flues at the rectangular slots. A total of 10 nuts must be fitted.
15. Join the two top sections of the flue to cover the truss so that one of the slots on the sections is situated on the same side of the control panel and the other on the opposite side. Screw the two sections together with 4 screws (2 each side- see the plan diagram for joining the two sections).
16. Fix the top flue assembly to the truss, near the ceiling, with two screws (one each side).
17. Carry out electrical connection of control panel and bulbs.
18. Join the two bottom sections of the flue covering the truss using 6 screws (3 each side, see the plan diagram for joining the two sections).
19. Insert the bottom section of the flue in its seat so that it completely covers the motor compartment and electrical connection box, then ensure it from inside the hood using two screws.
20. Apply the 2 tabs (supplied) to cover the fixing points of the bottom flue (CAUTION! THE BOTTOM FLUE TABS ARE THE NARROWER AND SHALLOWER ONES). The wider and deeper tabs are those used for the top flue, and must be cut to size.
21. Turn the mains power on again at the central electrical panel and check for correct hood operation.

Electrical connection

The electrical tension must correspond to the tension noted on the label placed inside the rangehood. Connect the electrical plug, where provided, to the an easily accessible outlet in conformity with local standards in force.

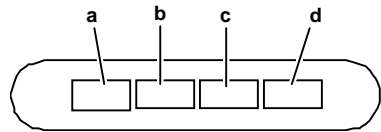
Where an electrical plug is not provided (for direct connection to electrical network) place a standards approved bipolar switch with an aperture distance of not less than 3mm (accessible) from the contacts.

Consult the designs in the front pages referenced in the text by alphabet letters. **Closely follow the instructions set out in this manual.** All responsibility, for any eventual inconveniences, damages or fires caused by not complying with the instructions in this manual, is declined.

Description of the hood - Fig. 1

- 1 Control panel
- 2 Grease filter
- 3 Grease filter release handle
- 4 Halogen lamp
- 5 Vapour screen
- 6 Telescopic chimney
- 7 Air outlet (used for filter version only)

If the hood fails to operate correctly, briefly disconnect it from the mains power supply for almost 5 sec. by pulling out the plug. Then plug it in again and try once more before contacting the Technical Assistance Service.

**Operation –
Model with button panel****Description of control panel and hood operation**

- a. on/off light switch
- b. on/off aspiration switch and minimum power selection
- c. medium power selection aspiration switch
- c.+d. maximum power selection aspiration switch

Use the high suction speed in cases of concentrated kitchen vapours. It is recommended that the rangehood suction is switched on for 5 minutes prior to cooking and to leave in operation during cooking and for another 15 minutes approximately after terminating cooking.

Cleaning

The rangehood should be cleaned regularly internally and externally.

For cleaning use a cloth moistened with denatured alcohol or neutral liquid detergents. Avoid abrasive detergents. Failure to carry out the basic standards of the cleaning of the rangehood and replacement of the filters may cause fire risks.

Maintenance

Prior to any maintenance operation ensure that the rangehood is disconnected from the power supply.

Grease filter

This must be cleaned once a month using non aggressive detergents either by hand or in the dish-washer, which must be set to a low temperature and a short cycle.

When washed in a dishwasher, the grease filter may discolour slightly, but this does not affect its filtering capacity.

To remove the grease filter, pull the spring release handle **(f)** - (Fig. 2).

Charcoal filter (filter version only)

It absorbs unpleasant odours caused by cooking.

The charcoal filter can be washed once every two months (and, for the model with electronic control panel, every time **LED 5** starts to flash – see preceding page) using hot water and a suitable detergent, or in a dish-washer at 65°C (if the dishwasher is used, select the full cycle function and leave dishes out).

Eliminate excess water without damaging the filter, then remove the mattress located inside the plastic frame and put it in the oven for 10 minutes at 100° C to dry completely. Replace the mattress every 3 years and when the cloth is damaged.

Remove the filter holder frame by removing the screw **(g)** fastening it to the hood **(Fig. 3)**.

Insert the pad **(i)** of activated carbon into the frame **(h)** and fit the whole back into its housing **(j)**.

Replacing lamps - Fig. 4

Press on the lamp cover and release to open (fig. 4.2).

Replace the damaged light bulb.

Only use halogen bulbs of 20W max (G4), making sure you do not touch them with your hands

Close the lamp cover (it will snap shut).

Replacement lamps are not covered by warranty.

If the lights do not work, make sure that the lamps are fitted properly into their housings before you call for technical assistance.

Caution

This appliance is designed to be operated by adults. Children should not be allowed to tamper with the controls or play with the appliance.

Do not use the rangehood where the grill is not correctly fixed! The suctioned air must not be conveyed in the same channel used for fumes discharged by appliances powered by other than electricity. The environment must always be adequately aerated when the rangehood and other appliances powered by other than electricity are used at the same time. Flambé cooking with a rangehood is prohibited. The use of a free flame is damaging to the filters and may cause fire accidents, therefore free flame cooking must be avoided. Frying of foods must be kept under close control in order to avoid overheated oil catching fire. Carry out fumes discharging in accordance with the regulations in force by local laws for safety and technical restrictions.

WARRANTY AND SERVICE

DOMESTIC WARRANTY - FULL FIVE YEAR WARRANTY

In addition to all statutory rights which you, the Consumer, have under the relevant laws in respect of this appliance, during the first five years of ownership as the original purchaser of this Kleenmaid appliance, we guarantee that any fault caused by faulty material or workmanship becoming apparent will be rectified free of charge for parts and labour, provided that all service is performed during normal working hours by Kleenmaid or their designated Agents. Where the appliance is installed outside the normal servicing area of the above, the Purchaser must pay for the cost of transporting the appliance to and from the Agent or the Agent's travelling cost to and from the Purchaser's home.

COMMERCIAL WARRANTY - ONE YEAR WARRANTY

When this appliance is installed in a commercial application, you, the Consumer, have under the relevant laws in respect of this appliance, during your first one year of ownership as the original purchaser of this Kleenmaid appliance, we guarantee that any fault caused by faulty material or workmanship becoming apparent, will be rectified free of charge for parts and labour, provided that all service is performed during normal working hours by Kleenmaid or their designated Agents. Where the appliance is installed outside the normal servicing area of the above, the Purchaser must pay for the cost of transporting the appliance to and from the Agent or the Agent's travelling cost to and from the Purchaser's home.

WHAT THESE WARRANTIES DO NOT COVER

We are not responsible for any damage or malfunction unless caused by a defect in material or workmanship. This includes but is not limited to abuse, misuse, improper installation and transportation damage. We are not responsible for any consequential damages from any malfunction.

The Consumer must make the appliance available for servicing and shall bear any costs incurred for any de-installation and/or re-installation required to make the appliance available for servicing. Kleenmaid is not liable for any consequential damage incurred during de-installation or re-installation.

WARRANTY DOES NOT COVER REPLACEMENT OF LIGHT GLOBES OR GLASS BREAKAGE DUE TO IMPACT

In case of fractured glass do not use your appliance.

WARRANTY REGISTRATION

Please complete warranty details below and retain together with your proof of purchase document. These documents will need to be viewed by our Service Representative should you request in warranty service.

SERVICE ASSISTANCE

To assist you when phoning our After Sales Service number to arrange a service call please complete the following details and have them ready when you call.

Model Number _____ Date of purchase _____

Kleenmaid Store purchased from _____ Date of installation _____

KLEENMAID AFTER SALES SERVICE
1300 652 100

**Other products available in the Kleenmaid
Range of appliances**

Washers

Dryers

Dishwashers

Ovens

Cooktops

Outdoor Cooking Centres

Built In Espresso Coffee Machines

Rangehoods

Freestanding Ranges

Sinks

Waste Disposals

Taps

Cookware

Refrigerators

Freezers

Wine Cellars

Vacuum Cleaners

**For sales information on the full range of quality appliances
Phone 13 13 08**