

***Amana***®

**International  
Side-by-Side  
Refrigerator  
Owner's Manual**


Keep these instructions for future reference. Be sure this manual stays with refrigerator.

# Contents

Electrical Requirements .....	2
Service .....	2
Proper Disposal of your Refrigerator .....	3
<b>Installation Instructions</b>	
Installation Requirements .....	3
Removing Wooden Base .....	3
Removing Handles .....	4
Connecting Water Supply .....	5
Stabilize refrigerator and align doors .....	6
<b>Use and Care Section</b>	
Controls .....	7
Refrigerator and Freezer Controls (non electronic models) .....	7
Setting Controls .....	7
Touchmatic™ Electronic Controls (some models) .....	7
Installation Checklist .....	9
Refrigerator Features .....	10
Refrigerator Shelves .....	10
Chiller Fresh™ Zero Degree Deli Drawer (some models) .....	10
Deli Fresh Drawer (Some models) .....	10
Garden Fresh™ Crispers .....	10
Dairy Center (some models) .....	11
Temperature Controlled Beverage Chiller™ (some models) .....	11
Door Buckets and Shelves .....	12
Tall Package Retainer (some models) .....	12
Freezer Features .....	12
Automatic Ice Maker (some models) .....	12
Stor-Mor® System .....	12
Ice 'N' Water™ Dispenser (some models) .....	13
Water Dispenser Operation .....	13
Ice Dispenser Operation .....	13
Removing Ice Bucket .....	13
Dispenser Light .....	14
Taste and Odor .....	14
Care and Cleaning .....	14
General .....	14
Odor Removal .....	14
Adhesives .....	14
Door Gaskets .....	14
Condenser Coils .....	15
Glass Shelves .....	15
Light Bulbs .....	15
Normal Operating Sounds .....	16
Before Calling For Service .....	17
Energy Tips .....	17
Vacation Tips .....	17

# Electrical Requirements

 **Recognize this symbol  
as a safety precaution.**

 <b>WARNING</b>
Install refrigerator on and earthed outlet with a separate 230 volt, 50 hz., 10A circuit.

## Model Identification

Locate product information on the nameplate, found in upper left corner of Fresh Food section. Record the following information:

Model Number: \_\_\_\_\_  
Manufacturing Number: \_\_\_\_\_  
Serial or S/N Number: \_\_\_\_\_  
Date of purchase: \_\_\_\_\_  
Dealer's name and address: \_\_\_\_\_  
\_\_\_\_\_

**Keep a copy of sales receipt** for future reference.

## Service

**Keep a copy of sales receipt** for future reference or in case warranty service is required. Contact appliance supplier if service is required.

**For more information visit our web site:  
[www.amana.com](http://www.amana.com)**

# Proper Disposal of your Refrigerator

**IMPORTANT:** Child entrapment and suffocation are not problems of the past. Junked or abandoned refrigerators are still dangerous—even if they will sit for “just a few days.” If you are getting rid of your old refrigerator, please follow the instructions below to help prevent accidents.

## **BEFORE YOU THROW AWAY YOUR OLD REFRIGERATOR OR FREEZER:**

- **Take off the doors.**
- **Leave the shelves in place so that children may not easily climb inside.**



# Installation Instructions

**A qualified engineer must connect refrigerator in accordance with these installation instructions.** Measure door opening and depth and width of refrigerator. Remove handles or doors if required. Engineer must also do the following:

1. Follow local water and electrical company connection regulations.
2. Complete water supply connection before electrical supply connection.

**Service to or replacement of power cord must be performed by a qualified servicer.**

## **Installation Requirements**

1. Install on an earthed outlet with a separate 230 volt, 50hz., 10A circuit.
2. Protect soft flooring with cardboard or rugs.
3. Install on a floor which supports up to 429 kg.
4. Provide 5 mm clearance at side of refrigerator and for models more than 60 cm deep, provide 25 mm clearance at top of refrigerator.
5. **60 cm deep models.**  
Trim corners of counter top to a 45° angle if counter top has 25 mm overhang.

## **Removing Wooden Base**



### **CAUTION**

To avoid personal injury or property damage, two people must remove wooden base.

1. Tape doors shut to prevent doors from opening unexpectedly.
2. Slide appliance cart under side of refrigerator.
3. Wrap refrigerator with blanket or pad. Thread strap around refrigerator. Put foam shipping pads, located in shipping carton, under strap. Tighten strap securely.
4. Lower appliance cart to floor with appliance cart handles on bottom.
5. Remove top two bolts from skid.
6. Return refrigerator and appliance cart to an upright position. Remove strap.
7. Slide appliance cart under opposite side of refrigerator.
8. Repeat steps 3–5.
9. Remove wooden base.
10. Return refrigerator and appliance cart to an upright position and remove appliance cart.

## **IMPORTANT:**

Do not leave refrigerator on its side longer than necessary to remove bolts.

## Removing Handles

### Tools Required

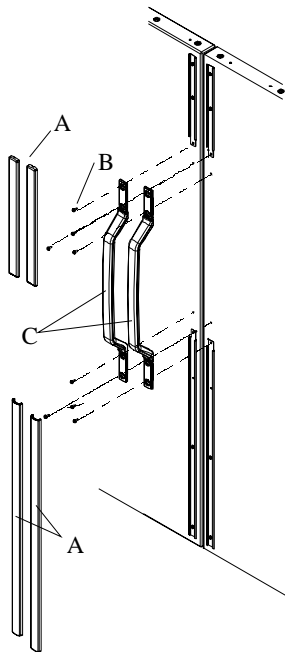
Putty knife (blade covered by masking tape)  
8 mm hex nut driver  
9.5 mm hex nut driver  
Phillips screwdriver  
Blade screwdriver

### WARNING

Disconnect power to refrigerator before removing doors to avoid electrical shock which can cause severe personal injury or death. After replacing doors, connect power.

Some installations may require handle removal to get the refrigerator into the home. If so, perform the following steps:

- Pry up edge of handle trim using a putty knife, with the blade end covered in masking tape. Remove handle from door by removing 2 mounting screws at each end of handle.



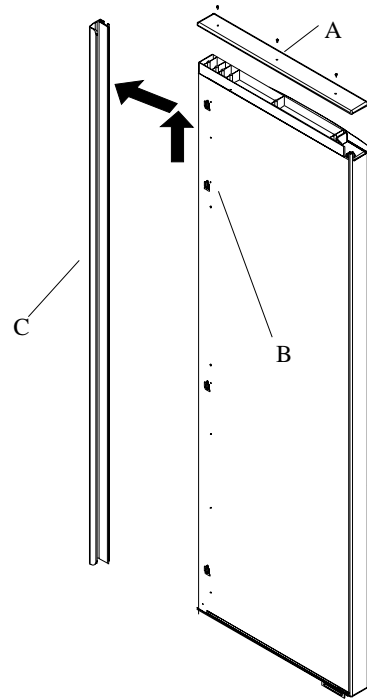
A. Handle trim  
B. Handle screws  
C. Handles

Handle removal

- Reverse procedure to replace handle.

### Models with full length extruded handles

- Remove top trim with phillips screwdriver (some models). Remove handle cap.
- Lift handle up until it hits stop, pull handle away from door. Clips on door slide out of notches on back of handle.



A. Top trim  
C. Handle

B. Handle clip

Handle removal

- Reverse procedure to replace handle.

### Connecting Water Supply

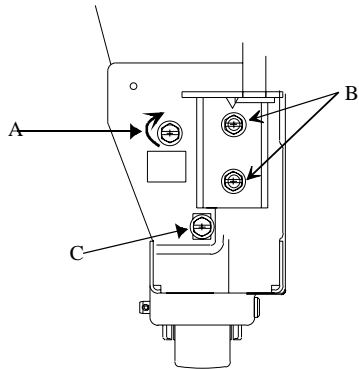
Connection of water supply is to be completed by a qualified engineer.

### Stabilize refrigerator and align doors

If refrigerator rocks or is not stable on floor perform the following:

- Determine which rear corner is rocking.
- Remove toe grille to gain access to roller adjustment screws.

- Turn rear roller adjustment screw clockwise to raise corner that is rocking.



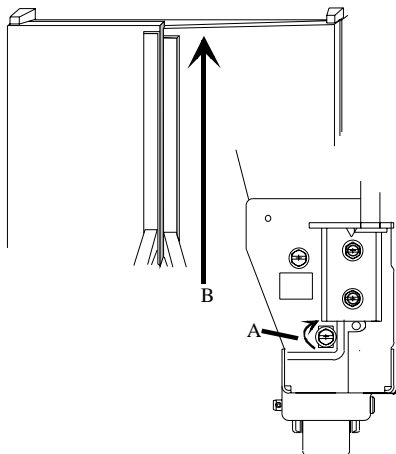
- A. Rear roller adjustment screw
- B. Door hinge screws
- C. Front roller adjustment screw

Stabilizing refrigerator

- Check alignment of top of doors. If doors are level replace toe grille.

If tops of doors are not level perform the following steps:

- Determine which door must be raised (if toe grille has not been removed, remove at this time).
- Turn front roller adjustment screw clockwise to raise front corner of door that needs to be raised. Roller adjustment screw should be turned until doors are level.
- Replace toe grille.



- A. Turn roller adjustment screw clockwise to raise door.
- B. Continue to turn screw clockwise until doors are level.

Leveling doors

7. Review "Installation Checklist" in Owner's Manual with consumer.

# Use and Care Section

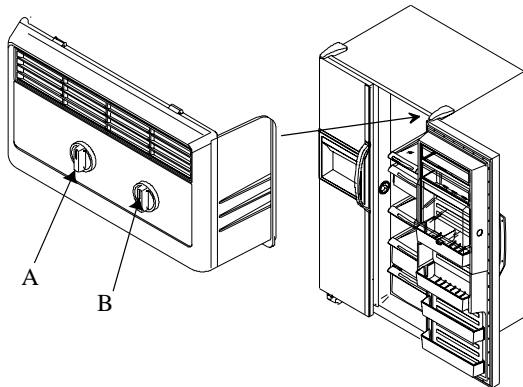
---

## Controls

This refrigerator is designed to operate at normal household temperatures of 13° to 43°C.

### Refrigerator and Freezer Controls (non electronic models)

Refrigerator and freezer controls are located on upper rear wall of refrigerator section.



A. Freezer control  
B. Refrigerator control

---

#### Controls

When freezer control is turned *off*, neither refrigerator nor freezer sections will cool. Initially, set both controls to 4. Wait 24 hours for refrigerator and freezer sections to reach desired temperatures. 1 is warmest setting and 7 is coldest.

### Setting Controls

Set controls with a household thermometer that includes temperatures between -21° and 10°C.

Put thermometer snugly between frozen packages in freezer section. Wait 5–8 hours. If freezer temperature is not -18C, adjust control, 1 number at a time. Check again after 5–8 hours.

Put thermometer in a glass of water in middle of refrigerator section. Wait 5–8 hours. If refrigerator temperature is not 3° to 4°C, adjust control, 1 number at a time. Check again after 5-8 hours.

### Touchmatic™ Electronic Controls (some models)

Locate power switch on right side of black box in center of cabinet behind toe grille. Turn power switch *on* before programming.

Touchmatic™ electronic control is located on refrigerator door adjacent to handles. Press \* pad to activate control panel. All other pads, except for alarm off pad, remain inactive until \* pad is pressed. Once activated, pads remain programmable for at least 10 minutes.

Refrigerator and freezer controls are preset at 5. Wait 24 hours after connecting power for refrigerator and freezer sections to reach desired temperatures. After 24 hours, adjust controls as desired. 1 is warmest setting and 9 is coldest. Refer to “Setting Controls” section to set controls precisely.

- Adjust refrigerator or freezer temperatures by pressing \* pad then refrigerator temperature pad or freezer temperature pad. Press warmer pad or colder pad to adjust temperature setting 1 level at a time. Holding down warmer pad or colder pad adjusts temperature more than 1 level at a time.
- See the illustration on following page for electronic controls pad descriptions.

### Vacation Mode

Vacation mode defrosts refrigerator less often during extended non-use periods. Activate vacation mode by pressing \* pad then Vacation pad. Indicator light will glow. Repeat above to deactivate vacation mode. Opening refrigerator or freezer door will also deactivate vacation mode.

### Maximum Cooling Mode

Max cool mode adjusts refrigerator temperature to coldest setting. After 10 hours, refrigerator temperature automatically returns to previous setting. Activate max cool mode by pressing \* pad then Max Cool pad. Indicator light will glow. Repeat above to deactivate max cool mode before automatic reset.

### Fast Freeze Mode

Fast freeze mode adjusts freezer temperature to coldest setting. After 24 hours, freezer temperature automatically returns to previous setting. Activate fast freeze mode by pressing \* pad then Fast Freeze pad. Indicator light will glow. Repeat above to deactivate fast freeze mode before automatic reset.

### Entry Tone

Entry tone indicates a pad was pressed and command was read and accepted. Deactivate entry tone by pressing and holding \* pad for three to five seconds. Three short beeps indicate instructions were accepted. Repeat above to activate entry tone.

### Door Open Alarm

Door open alarm sounds and glowing indicator light blinks if either door is open for three minutes. Turn off door open alarm by pressing Alarm Off pad or by closing either door. Turn on door open alarm by pressing \* pad then holding Alarm Off pad for three to five seconds. Three short beeps will sound. Repeat above to deactivate door open alarm indefinitely.

### High Temperature Alarm

High temperature alarm sounds and indicator light glows if refrigerator or freezer temperature is high for two hours. A blinking light signals affected compartment. Deactivate high temperature alarm by pressing Alarm Off pad. Alarm discontinues when proper temperature is reached.

### Thermistor Alarm

Thermistor alarm sounds and indicator lights scroll if refrigerator or freezer thermistor is not operating properly. Deactivate display by pressing Alarm Off pad.

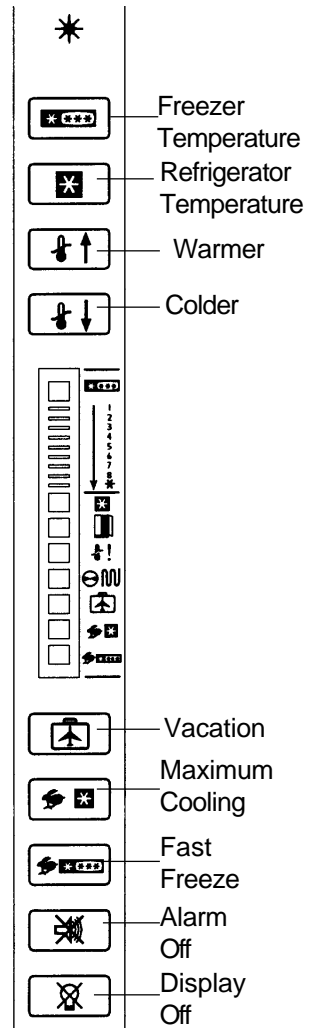
If thermistor alarm sounds, contact an authorized servicer immediately. If Alarm Off pad is pressed, thermistor control retests to confirm situation has been corrected. Alarm sounds again if thermistor is still not operating properly.

### Display Lights

Deactivate temperature display lights by pressing \* pad then pressing Display Off pad. Activate temperature display lights by pressing any of top five pads.

### Clean Condenser Coil Light

Clean condenser coil light glows once every three months as a reminder to clean condenser coil. Light automatically cancels in 72 hours. Deactivate clean condenser coil light before automatic reset by pressing Alarm Off pad.



# Installation Checklist

---

This checklist is for consumer's personal records only.

Consumer	Installer	
----------	-----------	--

<input type="checkbox"/>	<input type="checkbox"/>
<input type="checkbox"/>	<input type="checkbox"/>
<input type="checkbox"/>	<input type="checkbox"/>
<input type="checkbox"/>	<input type="checkbox"/>

### Doors

Doors are aligned with each other. (After food has been added to refrigerator , consumer should check door alignment).

Doors seal completely to refrigerator cabinet.

Handles are solidly attached to doors.

### Touchmatic™ Electronic and Ice 'N Water™ Dispenser Models

If doors were removed to install refrigerator, top hinge wire connectors are reconnected.

### Leveling

<input type="checkbox"/>	<input type="checkbox"/>
<input type="checkbox"/>	<input type="checkbox"/>

Refrigerator is stable.

Toe grille is properly attached to refrigerator.

### Ice Maker

<input type="checkbox"/>	<input type="checkbox"/>
<input type="checkbox"/>	<input type="checkbox"/>
<input type="checkbox"/>	<input type="checkbox"/>

Water supply to refrigerator is turned on.

Water leaks are not present at connection between household water supply and refrigerator. (After 24 hours, consumer should check connection for water leaks.)

Ice maker arm is in on position for ice production. (It may take up to 24–48 hours for first harvest of ice.)

### Product Literature

<input type="checkbox"/>	<input type="checkbox"/>
--------------------------	--------------------------

Owner's manual is reviewed including the following information.

- Refrigerator and freezer controls
- Chiller Fresh™ system
- Garden Fresh™ crispers
- normal operating sounds

Notes \_\_\_\_\_  
\_\_\_\_\_  
\_\_\_\_\_

---

Consumer's Signature

---

Installer's Signature

---

Installer's Company Name/Phone Number

---

Date



# Refrigerator Features

## Caution

To avoid property damage, confirm shelf is secure before placing items on shelf.

## Refrigerator Shelves

Models feature either glass or wire shelves. Shelves adjust up or down to meet individual storage needs. Some models feature Spillsaver™ shelves. Spillsaver shelves hold simple spills for easier cleaning.

## Caution

To avoid personal injury or property damage, handle tempered glass shelves carefully. Shelves may break suddenly if nicked, scratched, or exposed to sudden temperature change.

- Remove shelves by lifting front, releasing hooks from metal track then pulling out.
- Replace shelves by inserting hooks into metal track and lowering front.

Some models also feature EasyGlide™ shelves that pull forward for easy access of items in back.

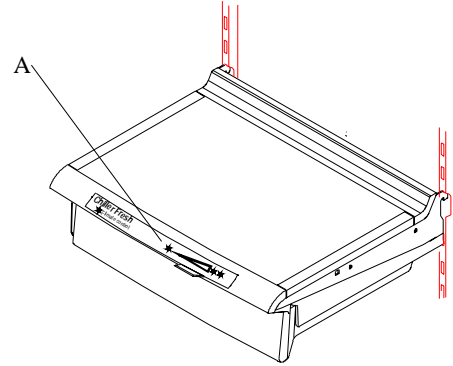
## Chiller Fresh™ Zero Degree Deli Drawer (some models)

Chiller Fresh™ system features a drawer inside a sleeve. Air circulates between drawer and sleeve. This system keeps food fresh longer and up to 3°C colder than refrigerator temperature.

Chiller Fresh control is located below front shelf trim. Control adjusts amount of air circulating around drawer. Slide control to *cold* for normal refrigerator temperature and to *colest* for colder temperature. Ice crystals may form on drawer or food on *colest* setting. Cold air can decrease refrigerator temperature. Refrigerator control may need to be adjusted.

- Remove drawer by lifting and pulling out. Remove shelf by lifting front, releasing hooks from metal track then pulling out.

- Replace shelf by inserting hooks into metal track and lowering front. Use slots 8 through 11 only. Replace drawer by sliding in. Confirm boot is over air inlet in side wall.



A. Chiller fresh control  
Chiller Fresh System

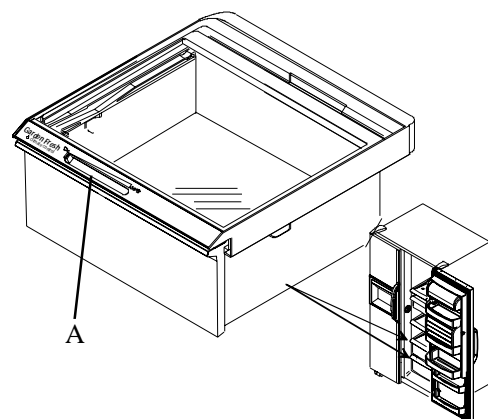
## Deli Fresh Drawer (Some models)

Some models feature a Deli Fresh Drawer. Deli Fresh Drawer provides storage without a refrigerated sleeve. See Chiller Fresh System instructions for drawer removal.

## Garden Fresh™ Crispers

Garden Fresh crispers keep produce fresh longer. Wrap produce tightly. Do not wash produce before placing in crispers. Excess moisture could cause produce to spoil prematurely. Do not line crispers with paper towels. Paper towels will retain moisture.

Garden Fresh control is located below front shelf trim. Control adjusts humidity in crispers. Slide control to *high* for produce with leaves such as lettuce, spinach or cabbage. Slide control to *low* for produce with skins such as cauliflower, corn or tomatoes.



A. Crisper Control  
Garden Fresh Crisper

Remove garden fresh crispers by completing the following steps:



## Caution

To avoid personal injury or property damage, handle tempered glass shelves carefully. Shelves may break suddenly if nicked, scratched, or exposed to sudden temperature change.

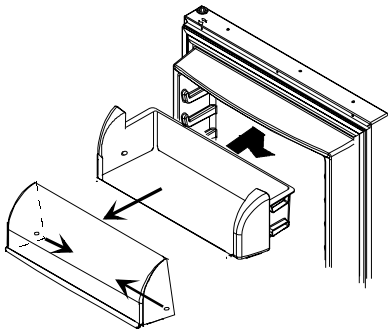
1. Remove crisper drawer by pulling out then lifting front upward.
2. Remove crisper shelf by lifting front of shelf while supporting underneath then pulling out.
3. Replace crispers and shelf by reversing steps 1–2.

### Dairy Center (some models)

Dairy center provides convenient storage for items such as butter, cheese, etc.

Dairy Center is adjustable to accommodate storage needs. Dairy Center may also be removed for cleaning by performing the following steps:

- Remove Dairy Center cover by opening cover. Push cover inward at pivot points and pull cover out. Lift Dairy Center up and pull out to remove.
- Replace Dairy Center by reversing procedure.



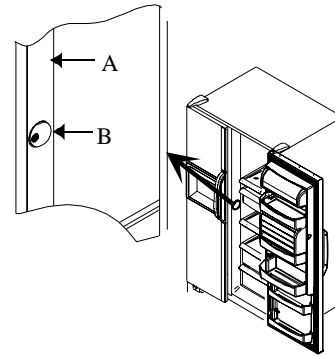
Dairy Center

### Temperature Controlled Beverage

#### Chiller™ (some models)

Temperature Controlled Beverage Chiller keeps beverages up to 3°C colder than refrigerator section. Air inlet allows air from freezer section to pass to beverage chiller. Air inlet is located on interior wall of refrigerator door.

Beverage chiller control is located on left front wall of refrigerator section. Control adjusts amount of air circulating in beverage chiller. Turn control to *cold\** for normal refrigerator temperature and to *colder\*\** for colder temperature.



- A. Refrigerator section left front wall
- B. Temperature control

Beverage Chiller control illustration

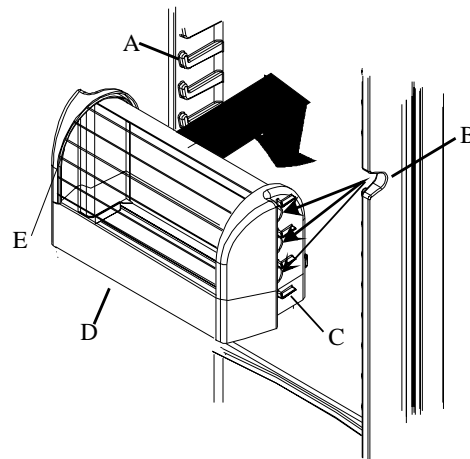
Beverage Chiller position is adjustable to accommodate storage needs. Beverage Chiller may also be removed for cleaning. To remove Beverage Chiller perform the following steps:

- Grasp Beverage Chiller by sides lift up and pull out to remove.
- To replace, slide Beverage Chiller between desired shelf rails in door liner and push Beverage Chiller down into place.

#### Important

For proper operation of Beverage Chiller, one of the 3 cold air intake holes must line up with notch in right door dike.

- If Beverage Chiller door track is cleaned, door track must be lubricated with petroleum jelly for proper operation of chiller door.



- A. Door liner shelf rail
- B. Notch in door dike must line up with one of Beverage Chiller cold air intake holes.
- C. Flange
- D. Beverage Chiller
- E. Beverage Chiller Door track

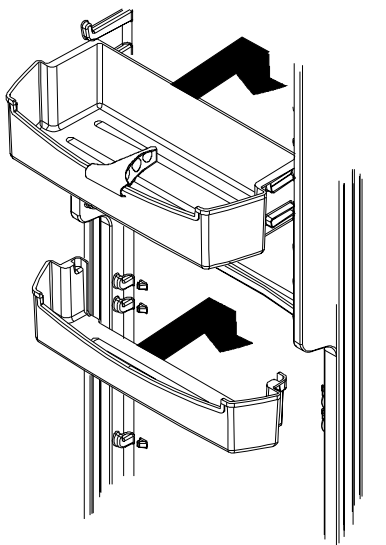
Beverage Chiller

## Freezer Features

### Door Buckets and Shelves

Door buckets adjust to meet individual storage needs.

- Remove door buckets by pushing bucket up and pulling out.
- Replace door buckets by sliding bucket in between shelf rails and pushing door bucket down into place.



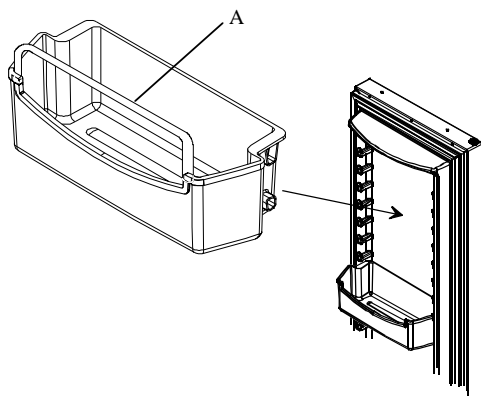
Door Buckets

### Tall Package Retainer (some models)

Tall package retainer keeps tall items secure. Retainer fits in any door bucket. Tall package retainers in refrigerator door shelves are adjustable for two different heights.

To install, insert tall package retainer in holes in each side of door bucket or shelf front.

- Install tall package retainer with knobs on retainer facing outward for tall setting.
- For lower setting, install tall package retainer with knobs on retainer facing inward. Knobs slide into slots in retainer holes on inside front of bucket.



A. Tall package retainer

Tall package retainer installation

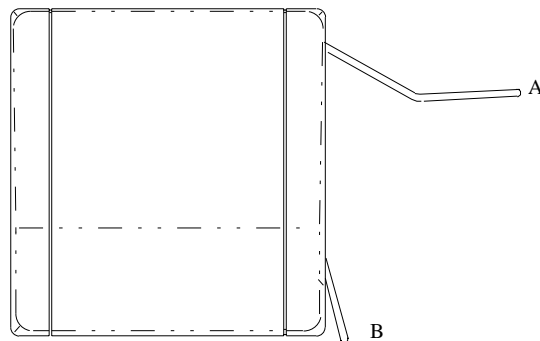


### Caution

To avoid property damage, confirm shelf is secure before replacing items on shelf.

### Automatic Ice Maker (some models)

- Confirm ice bucket is in place and ice maker arm is down.



A. Off position

B. On position

Ice maker operation

- After freezer section reaches normal temperature, ice maker fills with water and begins operating. Allow 24–48 hours after installation before first harvest of ice. Ice maker produces 7 to 9 harvests of ice in a 24-hour period under ideal conditions.
- After ice is formed, ice maker drops ice cubes into ice storage bucket. During ice production, ice maker arm raises and lowers. When ice storage bucket is full, ice maker arm turns ice maker off. Discard first 3 harvests of ice after initially connecting refrigerator to household water supply and after extended periods of nonuse.
- Stop ice production by raising ice maker arm. A definite click is heard when proper position is reached. Ice maker arm will remain in *off* position until pushed down.



### Caution

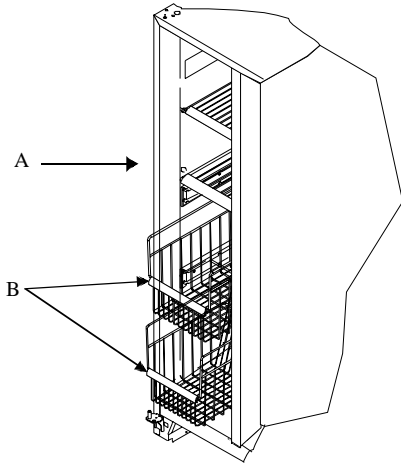
To avoid damage to ice maker, observe the following:

- Do not force ice maker arm down or up.
- Do not place or store anything in ice storage bucket.

### Stor-Mor® System

Wire baskets slide out for easy access of items in back and wire shelves (some models) can be rearranged to meet individual storage needs.

- Remove baskets by pulling out and lifting. Replace baskets by placing baskets on side rails, slide baskets right and back until round knob is behind stop on rail.
- Remove shelf by lifting right side of shelf out of clips and pulling out of left side mounting holes. Reverse procedure to reinstall shelf.



A. Wire shelves  
B. Wire baskets  
Freezer baskets and shelf

## Ice 'N' Water™ Dispenser (some models)

### Caution

To avoid personal injury or property damage, observe following instructions:

- Do not operate dispenser with freezer door open.
- Do not put fingers, hands, or any foreign object into dispenser opening.
- Do not use sharp objects to break ice.

### Water Dispenser Operation

It takes approximately 1 minute after pressing dispenser bar the first time before water dispenses after initial connection of water supply. Discard first 10 to 14 containers of water after first connecting refrigerator to household water supply and after extended periods of nonuse.

- Dispense water by pressing glass or cup against water dispenser bar.
- Stop water dispensing by releasing pressure on bar. A small amount of water may continue to fall. Spill shelf is not self-draining. Large spills should be wiped dry.

### Ice Dispenser Operation

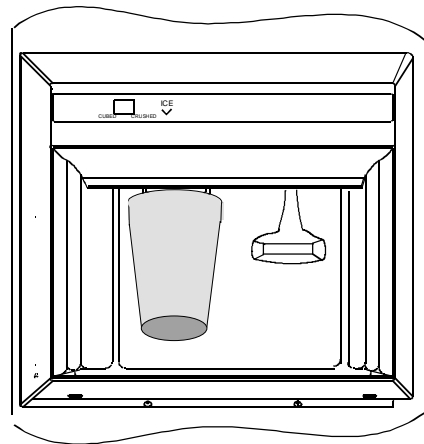
#### Caution

To avoid property damage, do not dispense ice directly into thin glass, fine china, or delicate crystal.

- Select cubed or crushed mode by sliding lever on dispenser panel. Dispense ice by pressing glass or cup against ice dispenser bar.

#### Important

**Reduce spraying of crushed ice by holding glass or cup directly under ice chute and as high as possible in dispenser area.**



Cup placement in dispenser

- Stop ice dispensing by releasing pressure on bar before container is full. Some ice will continue to fall. Do not remove container until last of ice falls.

If dispensing ice continuously, dispenser motor is designed to shut off after 3 to 5 minutes. Motor resets after 3 minutes and dispensing can continue.

A slight delay occurs when switching between cubed and crushed modes. Pieces of crushed ice will vary in size and shape. "Snow" may form on door and ice chute when repeatedly dispensing crushed ice. Allow "snow" to evaporate or wipe dry.

Dispenser operates only with cubes of proper size and crescent shape. Do not add purchased ice cubes or other shaped cubes to ice bucket.

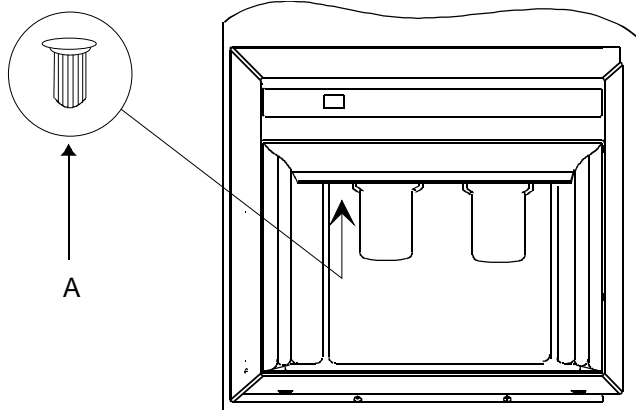
### Removing Ice Bucket

- Remove ice bucket by lifting bucket and pulling out.
- Replace ice bucket by sliding in until bucket locks in place. Ice bucket must be locked in place for proper ice dispensing. If freezer door does not close, bucket is not in proper location.

## Dispenser Light

A light is activated when dispensing ice or water.

- Light can be turned on or off by pushing switch located underneath dispenser and left of ice dispenser bar.



A. Dispenser light switch  
Dispenser light switch location

## Taste and Odor

Observe the following to minimize taste and odor difficulties:

- Wrap foods in tightly sealed containers or moisture proof bags.
- Contact local water treatment company for specialized help if difficulties persist.
- If refrigerator has an external water filter replace water filter cartridge, see *Water Filtration System Installation and Operating Instructions* for replacement procedure.

## Care and Cleaning

### **WARNING**

To avoid electrical shock which can cause severe personal injury or death, disconnect power to refrigerator before cleaning. After cleaning, connect power.

### **Caution**

To avoid personal injury or property damage, read and follow all cleaning product manufacturer's directions.

## General

1. Wash surfaces with a warm water and baking soda solution. Use a soft clean cloth to clean surfaces.
2. Rinse surfaces with warm water. Dry surfaces with a soft, clean cloth.
  - Do not use the following items:

- abrasive or harsh cleaners, ammonia, chlorine bleach, etc.
- concentrated detergents or solvents
- metal scouring pads

These items can scratch, crack and discolor surfaces.

- Do not place buckets, shelves, etc. in dishwasher.

## Odor Removal

1. Remove all food and disconnect power to refrigerator.
2. Clean all interior surfaces including ceiling, floor, and walls according to "General" instructions. Pay special attention to corners, crevices, and grooves. Include all drawers, shelves, and gaskets.
3. Connect power to refrigerator and return food to refrigerator. Wash and dry all bottles, containers and jars. Wrap foods in tightly sealed containers to prevent further odor. After 24 hours, check if odor was eliminated.

Complete the following steps if odor was not eliminated.

4. Complete steps 1–2.
5. Place garden fresh crispens on top shelf of refrigerator section. Pack refrigerator and freezer sections including doors with crumpled sheets of black and white newspaper.
6. Place charcoal briquettes randomly throughout newspaper.
7. Close doors and let stand 24–48 hours.
8. Remove charcoal briquettes and newspapers.
9. Complete steps 2–3.

Contact Consumer Affairs Department, if odor was still not eliminated. Refer to *Model Identification* section for phone number.

## Adhesives

1. Remove glue residue by rubbing toothpaste into adhesive with fingers until adhesive loosens.
2. Rinse surface with warm water. Dry surface with a soft, clean cloth.

## Door Gaskets

1. Keep gaskets clean at all times. Clean door gaskets thoroughly every 3 months according to "General" instructions.
2. Apply a light film of petroleum jelly to hinge side of door gasket to keep gaskets pliable.

## Condenser Coils

Clean condenser coil every 3 months to ensure maximum performance of refrigerator. Accumulated dust and lint may cause the following:

- reduced cooling performance
  - increased energy usage
  - in extreme cases, premature compressor failure
1. Remove toe grille by holding ends and pulling forward.
  2. Clean front surface of condenser coil with a vacuum cleaner hose nozzle.
  3. Replace toe grille by inserting clips in holes and snapping in.

### Caution

To avoid property damage, protect soft vinyl or other flooring with cardboard, rugs, or other protective material.

4. Pull refrigerator away from wall. Run a vacuum brush across condenser fan outlet grille on back of refrigerator.

## Glass Shelves

### Caution

To avoid personal injury or property damage, handle tempered glass shelves carefully. Shelves may break suddenly if nicked, scratched, or exposed to sudden temperature change.

Remove shelf by lifting front, releasing hooks from metal track then pulling out. Place shelf on a towel. Allow shelf to adjust to room temperature before cleaning.

Clean crevices by completing the following steps:

1. Dilute mild detergent and brush solution into crevices using a plastic bristle brush. Let set for 5 minutes.
2. Spray warm water into crevices using faucet spray attachment.
3. Dry shelf thoroughly and replace shelf by inserting hooks into metal track and lowering front.

## Light Bulbs

### WARNING

To avoid electrical shock which can cause severe personal injury or death, disconnect from current before replacing light bulb either by unplugging the unit or switching off the installation fuse.

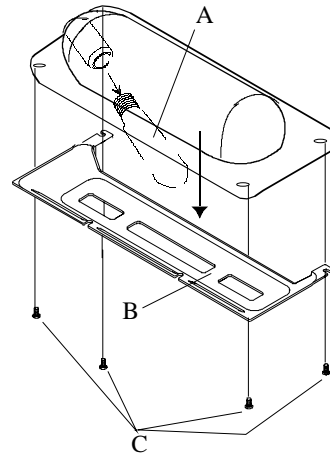
### Caution

To avoid personal injury or property damage, observe the following:

- Allow light bulb to cool.
- Wear gloves when replacing light bulb.

### Upper refrigerator and non dispensing models freezer section

- Disconnect refrigerator from current before replacing light bulb either by unplugging the refrigerator or switching of the installation fuse.
- Remove light bulb cover by removing 6 mm hex screws. See light housing for replacement bulb wattage.
- Replace light bulb cover by replacing 6 mm hex screws.



A. Light bulb  
C. Screws

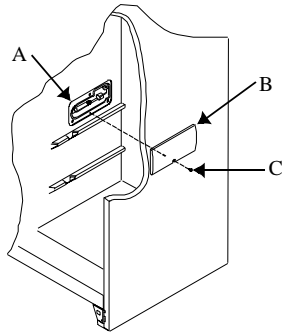
B. Light bulb cover

Upper refrigerator light bulb removal

---

**Lower refrigerator section** (Some models)

- Disconnect refrigerator from current before replacing light bulb either by unplugging the refrigerator or switching of the installation fuse.
- Remove light bulb cover by removing screw. See light housing for replacement bulb wattage.
- Replace light bulb cover by placing cover over light bulb. Insert and tighten screw.



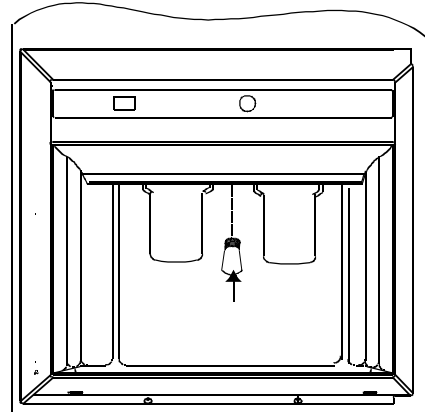
- A. Light bulb
- B. Light bulb cover
- C. Screw

---

Lower refrigerator light bulb removal

Light bulb is located between dispenser arms.

- Disconnect refrigerator from current before replacing light bulb either by unplugging the refrigerator or switching of the installation fuse.
- Remove light bulb by unscrewing light bulb. Replace light bulb with a 6-watt, 250-volt bulb.
- Replace light bulb by inserting and tightening bulb.



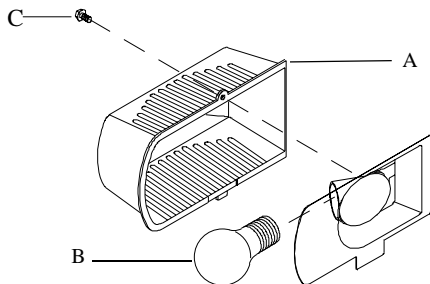
---

Dispenser light bulb replacement

---

**Freezer section**

- Disconnect refrigerator from current before replacing light bulb either by unplugging the refrigerator or switching of the installation fuse.
- Remove ice bucket by lifting bucket and pulling out.
- Remove light bulb cover by removing screw. See light housing for replacement bulb wattage.
- Replace light bulb cover by holding cover in place over light bulb. Insert and tighten screw.
- Replace ice bucket by sliding in until bucket locks in place.



- A. Light bulb cover
- B. Light bulb
- C. Screw

---

Freezer section light bulb removal

---

**Ice 'N' Water™ dispenser** (Some models)

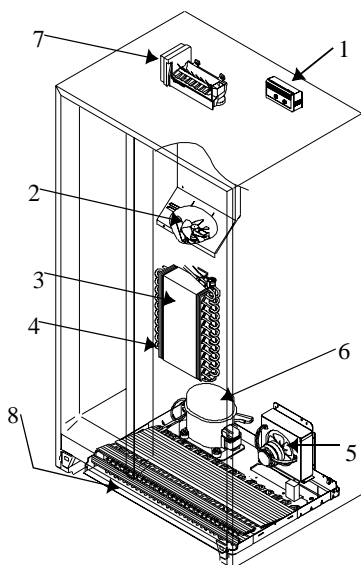
## Normal Operating Sounds

This new refrigerator may be replacing a differently designed, less efficient or smaller refrigerator. Today's refrigerators have new features and are more energy efficient. As a result, certain sounds may be unfamiliar. These sounds are normal and will soon become familiar. These sounds also indicate refrigerator is operating and performing as designed.

1. **Freezer control** clicks when starting or stopping compressor.
2. **Freezer fan** air rushes and whirs.
3. **Sealed system** (evaporator and heat exchanger) refrigerant flow gurgles, pops or sounds like boiling water.
4. **Defrost heater** sizzles, hisses or pops.
5. **Condenser fan** air rushes and whirs.
6. **Compressor** has a high pitched hum or pulsating sound.
7. **Ice cubes** from ice maker (some models) drop into ice bucket.
8. **Defrost heater** sizzles, hisses or pops.  
**Ice auger** (Ice 'N' Water™ Dispenser models) hums as auger agitates ice during dispensing. Ice auger is located in freezer door. (not shown)

**Ice maker water valve hookup** (some models) buzzes when ice maker fills with water. This occurs whether or not refrigerator is connected to water supply. If refrigerator is not connected to water supply, stop sound by raising ice maker arm to off position. Water valve hook up is located in back, bottom, left hand corner. (not shown)

Foam insulation is very energy efficient and has excellent insulating capabilities. However, foam insulation is not as sound absorbent as previously used fiberglass insulation. (not shown)



Sound location

## Before Calling For Service

Refrigerator does not operate.

- Confirm freezer control is on.
- Confirm refrigerator is plugged in.
- Check fuse or circuit breaker. Plug in another item at that wall outlet.
- Wait 40 minutes to see if refrigerator restarts. If freezer control is on, lights work but 2 fans and compressor are not operating, refrigerator may be in defrost cycle.

Refrigerator still won't operate.

- Unplug refrigerator. Transfer food to another unit or place dry ice in freezer section to preserve food.  
**Warranty does not cover food loss.** Check warranty certificate for specific coverage.
- Call appliance provider for an authorized Amana technician.

Food temperature appears too warm.

- See above sections.
- Allow time for recently added warm food to reach refrigerator or freezer temperature.
- Check gaskets for proper seal.
- Clean condenser coils.
- Adjust refrigerator and/or freezer control.
- Confirm rear air grille is not blocked. Rear air grille is located behind garden fresh crisper.

Chiller Fresh™ system temperature is too warm.

- Turn control to colder setting.
- Adjust freezer control to colder setting.

Food temperature is too cold.

- Clean condenser coils.
- Adjust refrigerator control.
- Adjust freezer control to warmer setting. Allow several hours for temperature to adjust.
- One of 3 cold air intake holes in beverage chiller is not aligned with notch in right side door dike.

Refrigerator runs too frequently.

- It may be normal to maintain constant temperature.
- Doors may have been opened frequently or for an extended period of time.
- Allow time for recently added warm food to reach refrigerator or freezer temperature.
- Clean condenser coils.
- Adjust freezer control.
- Check gaskets for proper seal.

Water droplets form on inside of refrigerator.

- It is normal during high humidity periods or if doors have been opened frequently.
- Check door gasket seal.



## Energy Tips

---

Water droplets form on outside of refrigerator.

- Check door gaskets for proper seal.

Garden Fresh™ crispers or Chiller Fresh™ system does not close freely.

- Check for a package which may prevent drawer from closing properly.
- Confirm drawer is in proper position.
- Clean drawer channels with warm, soapy water. Rinse and dry thoroughly.
- Apply a thin layer of petroleum jelly to drawer channels.
- Confirm refrigerator is level.

Refrigerator has an odor.

- See “Odor Removal” instructions in “Care and Cleaning” section.

Refrigerator or ice maker make unfamiliar sounds or seems loud.

- It may be normal. See “Normal Operating Sounds” section.

Ice maker is not producing ice.

- Confirm ice maker arm is down.
- Confirm household water supply is reaching water valve.
- Confirm ice maker wiring harness is completely inserted into proper holes.
- Check for kinks in copper or plastic tubing. Remove kinks or replace tubing.
- Check electrical connections to water valve coil and connector block on refrigerator cabinet.
- Confirm freezer section is operating at proper temperature.

Ice cubes have an odor.

- See “Odor Removal” instructions in “Care and Cleaning” section.
- Discard ice and clean ice bucket or trays more frequently. Ice cubes are porous and absorb odors easily.

Ice cubes stick together or ‘shrink’.

- Empty ice cube bucket or trays more frequently. If used infrequently, ice cubes may stick together or shrink.

Ice forms in inlet tube to ice maker.

- Check water pressure. Low water pressure will cause valve to leak. Self-piercing valves cause low water pressure. **Amana recommends using copper tubing to connect household plumbing to refrigerator. Do not use self-piercing valve. Amana is not responsible for property damage due to improper installation or water connection.**

This refrigerator is designed to be one of the most energy efficient refrigerators available. Reduce energy use by observing the following.

- Operate in normal household temperatures of 13° to 43°C away from heat sources and direct sunlight.
- Set refrigerator, freezer, and Chiller Fresh™ system controls no colder than necessary.
- Keep freezer section full.
- Keep door gaskets clean and pliable. Replace gaskets if worn.
- Keep condenser coils clean.

## Vacation Tips

Complete the following steps for short vacations.

1. Remove perishable foods. **Warranty does not cover food loss.** Check warranty certificate for specific coverage.
2. If an ice maker is installed, move ice maker arm up, to off position.

Complete the following steps for long vacations.

1. Empty refrigerator and freezer sections.
2. Unplug refrigerator.
3. Clean refrigerator and door gaskets according to “General” instructions in “Care and Cleaning” section.
4. Prop doors open, so air can circulate inside.
5. If an ice maker is installed, turn water supply to refrigerator off and move ice maker arm up, to *off* position.