

Amana

International

Bottom Freezer

Refrigerator

Owner's Manual

BX521VE BX521VW

Keep these instructions for future reference. Be sure this manual stays with refrigerator.

Congratulations on the purchase of your new appliance. This appliance has been designed and manufactured to give you years of reliable performance. For best results, carefully read the instructions on how to install your new appliance. Correct installation will avoid delays and unnecessary service calls.

Once installation is complete, read this booklet carefully and get to know the controls and the features of your new appliance.

For appliance please phone

1300 652 100

Kleenmaid St George Store

131308

We reserve the right to alter the specifications with no influence on the operation of the appliance. This instruction manual cannot be reason for claim.

Contents

Parts and Accesories 2
 Electrical Requirements 2
 Model Identification 2
 Service 2
 Proper Disposal of Your Refrigerator 3
 Space Requirements 3
 Instructions for Installation 4
 To Remove Doors and Hinges 4
 To Replace Doors 4
 Connect Ice Maker Water Supply Line (some models) 5
 Leveling Refrigerator 6
 Installation Checklist 7
 Controls 8
 Fresh Food and Freezer Controls 8
 Setting Controls 8
 Fresh Food Features 8
 Fresh Food Shelves 8
 Beverage Organizer 8
 Adjustable Deli Drawer™ (some models) 9
 Garden Fresh™ Crisper 9
 Chiller Fresh™ System (some models) 9
 Storage Rack (some models) 10
 Covered Storage Bucket (some models) 10
 Dairy Center (some models) 10
 Door Buckets 11
 Tall Package Retainer 11
 Door Shelves 11
 Adjustable Divider (some models) 11
 Bottle Holder 11
 Freezer Features 12
 Frost-Free System 12
 Automatic Ice Maker (some models) 12
 Ice Service Rack (some models) 12
 Slideout Shelf (some models) 12
 Vertical Shelf Divider (some models) 12
 Fixed Wire Shelf (some models) 12
 Wire Basket (some models) 13
 Ice Bin (some models) 13
 Vertical Basket Divider 13
 Tilt-Out Bin (some models) 13
 Pullout Drawer Baskets (some models) 13
 Ice Shield (some models) 13
 Care and Cleaning 14
 General Cleaning 14
 Stainless Steel Cleaning 14
 Adhesives 14
 Door Gaskets 14
 Condenser Coils 14
 Glass Shelves 14
 Odor Removal 14
 Light Bulb Replacement 15
 Vacation Tips 15
 Energy Tips 15
 Normal Operating Sounds 16
 Before Calling For Service 17


Note: Translation may sometimes cause variations in meaning. In all cases where meaning varies, the most accurate meaning will be the English version of this document.

 **Recognize this symbol as a safety precaution.**

Parts and Accessories

Purchase replacement parts and additional accessories (e.g. refrigerator shelves) over the phone. To order accessories for your product, call **1-800-843-0304** inside U.S.A. or **319-622-5511** outside U.S.A., or contact us on the internet at www.amana.com.

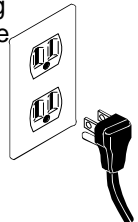
Electrical Requirements

 **WARNING**

To avoid electrical shock which can cause severe personal injury or death do not cut or remove the round grounding prong from the plug. Refrigerator must be grounded at all times. Do not remove warning tag from power cord.

Do not use a two-prong adapter. Do not use an extension cord.

This refrigerator is equipped with a three-prong (grounding) plug for protection against possible shock hazards. If a two-prong wall receptacle is encountered, contact a qualified electrician and have the two-prong wall receptacle replaced with a properly grounded three-prong wall receptacle in accordance with the National Electrical Code.



Refrigerator is designed to operate on a separate 230 volt, 10 amp., 50 Hz line.

Model Identification

Thank you for purchasing this Amana® refrigerator. Please read this Owner's Manual thoroughly. This manual provides proper maintenance information. Any questions, call the Consumer Affairs Department at **1-800-843-0304** inside U.S.A. and **1-319-622-5511** outside the U.S.A., or contact us on the internet at www.amana.com.

When contacting Amana , provide product information. Product information is on the serial plate, located on the ceiling of fresh food section. Record the following information.

Model Number: _____

Manufacturing Number: _____

S/N or Serial Number: _____

Date of Purchase: _____

Dealer's name and address: _____

Service

Keep a copy of sales receipt for future reference or in case warranty service is required. Any questions or to locate an authorized servicer, call 1-800-NAT-LSVC (1-800-628-5782) inside U.S.A. 319-622-5511 outside U.S.A. Warranty service must be performed by an authorized servicer. Amana also recommends contacting an authorized servicer if service is required after warranty expires.



DANGER

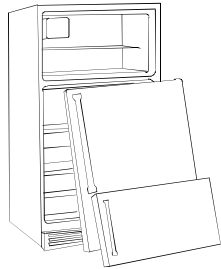
Proper Disposal of Your Refrigerator

IMPORTANT: Child entrapment and suffocation are not problems of the past. Junked or abandoned refrigerators are still dangerous-- even if they will sit for "just a few days." If you

discard an old refrigerator, please follow the instructions below to help prevent accidents.

BEFORE YOU THROW AWAY YOUR OLD REFRIGERATOR OR FREEZER:

- Take off the doors.
- Leave the shelves in place so that children may not easily climb inside.



Space Requirements



WARNING

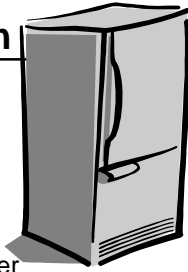
Keep flammable materials and vapors, such as gasoline, away from refrigerator. Failure to do so can result in death, explosion, fire, or burns.

- To ensure proper ventilation for your refrigerator, allow for a 1"(2.5 cm) for 33" wide models, or ½"(1.3 cm) for 30" wide models, at the top of your refrigerator.
- If your refrigerator has an ice maker, make sure you leave some extra space at the back to allow for the water line connection. The refrigerator can be flush with the back wall if you do not have an ice maker installed.
- If you are installing your refrigerator next to a fixed wall, leave 2 ½" minimum on hinge side (depending on your model) to allow for the door to swing open 90°.

NOTE: Do not install the refrigerator near an oven, radiator, or other heat source. Do not install the refrigerator in a location where the temperature will fall below 55°F (13° C).

Instructions for Installation

Proper installation will ensure this refrigerator operates most efficiently. Amana cannot be held responsible for improper installation.



Tools Required

- Putty knife
- Masking tape
- $\frac{3}{8}$ " hex nut driver
- $\frac{5}{16}$ " hex nut driver
- $\frac{1}{4}$ " hex nut driver
- Phillips screwdriver

IMPORTANT:

- Save all screws for reuse.
- For plug removal requiring use of flat blade screwdriver or putty knife, **blade of tool must be covered with masking tape to avoid damage to refrigerator finish.** For plugs using a screwdriver or nut driver style head, use appropriate tool to avoid damage to plugs.

To Remove Doors and Hinges

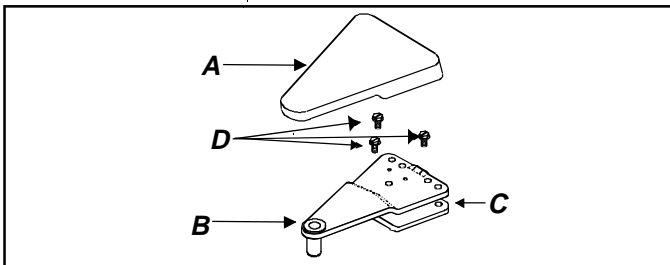
Some installations may require door and hinge removal to transport unit to final location.



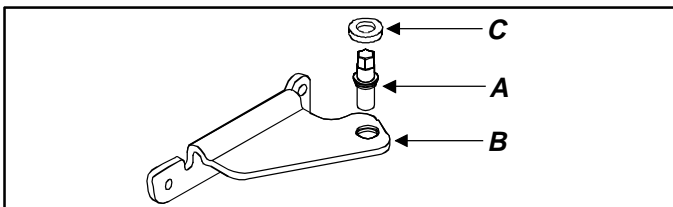
WARNING

To avoid electrical shock which can cause severe personal injury or death, disconnect power to refrigerator before removing doors. After replacing doors, connect power.

1. Remove top hinge cover (A). Top hinge cover snaps off. While supporting refrigerator door, remove top hinge (B) and shim (C) using $\frac{5}{16}$ " hex nut driver to remove screws (D).

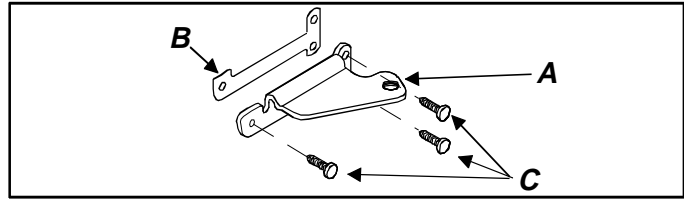


2. Lift refrigerator door off center hinge.
3. While supporting freezer door, remove center hinge pin (A) from center hinge bracket (B) with $\frac{5}{16}$ " hex nut driver. Remove and retain all round washer shims (C—some models).

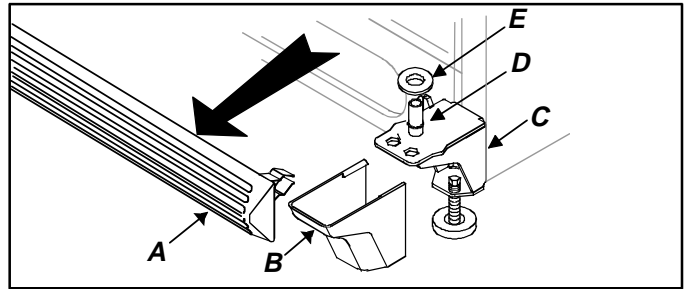


4. Remove freezer door by lifting door off bottom hinge.

5. Remove center hinge bracket (A) and shim (B) by removing screws (C) using Phillips screwdriver.

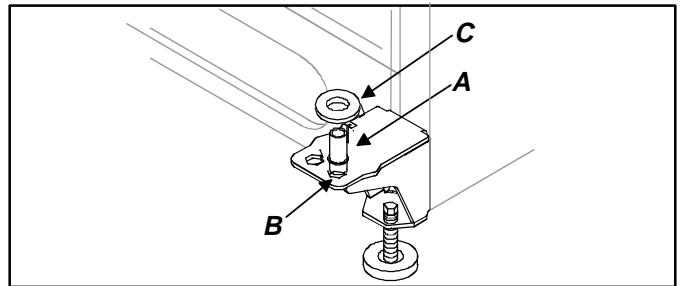


6. Remove toe grille (A) and bottom hinge cover (B). Both snap off.
7. Remove bottom hinge and shim (C) with $\frac{3}{8}$ " hex nut driver. Remove hinge pin (D). Remove and retain all round washer shims (E), if present.

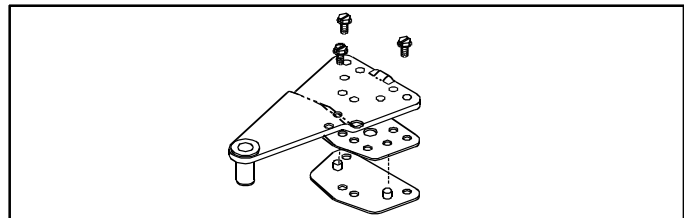


To Replace Doors

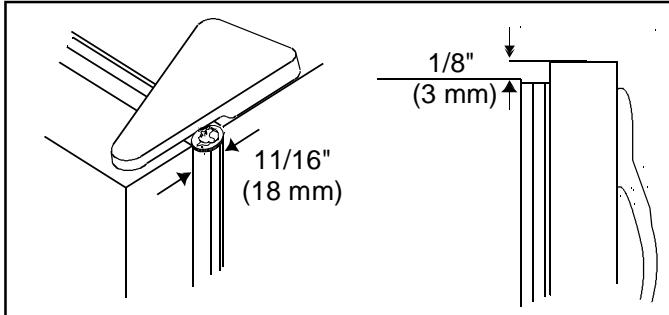
1. Replace bottom hinge and shims with $\frac{3}{8}$ " hex nut screws from hinge removal.
2. Replace bottom hinge pin (A) in hinge bracket hole (B) toward outside of cabinet. Replace all washer shims (C—some models).



3. Replace center hinge and shims with Phillips screws from hinge removal.
4. Place freezer door on bottom hinge pin.
5. Replace center hinge pin with $\frac{5}{16}$ " hex nut driver. Make sure fit is tight. Replace all washer shims (some models).
6. Assemble top hinge, hinge shim, and positioning shim together. Attach loosely to opposite side of cabinet to allow for door clearance.



- Place refrigerator door on center hinge. Tighten down top hinge to securely hold door.
- Use a dime at top to space door $1\frac{1}{16}$ " (18 mm) from cabinet. Handle side of door should be approximately $\frac{1}{8}$ " (3 mm) higher than hinge side. **Door will become level when it is loaded with food.**



- Replace hinge cover.

Note: If automatic ice maker water supply is required, proceed to **Connect Ice Maker Water Supply Line**. If not, proceed to section entitled **Leveling Refrigerator**.

Connect Ice Maker Water Supply Line (some models)

DANGER

To avoid electrical shock which can cause severe personal injury or death. Disconnect power to refrigerator before connecting water supply.

CAUTION

Observe the following to avoid property damage:

- Raise stabilizing leg before moving unit.
- Make sure water pressure to water valve is between 20 and 100 pounds per square inch.
- Tighten adapter fitting and nuts with pliers and wrenches. Do not overtighten.
- Check for water leaks and correct if necessary before returning refrigerator to normal location. After 24 hours check again for leaks.

Important

- Before connecting water supply, contact a plumber to connect copper tubing to household plumbing in compliance with local codes and ordinances.
- DO NOT use piercing type or $\frac{3}{16}$ " saddle valves!** Both reduce water flow, become clogged with time and in addition, may cause leaks if repair is attempted. The correct type—a **shut-off valve**—requires a $\frac{1}{4}$ " hole to be drilled in the water supply pipe before valve attachment.
- Do not install copper tubing in area where temperatures drop below 32°F (0°C).

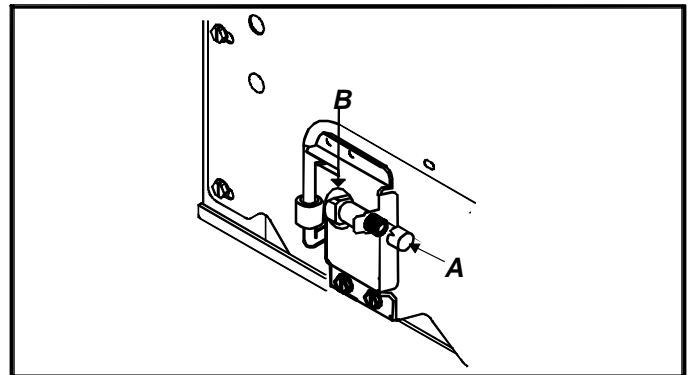
Materials Required

- $\frac{1}{4}$ " O.D. (6 mm) flexible copper tubing
- $\frac{1}{2}$ " open end wrench

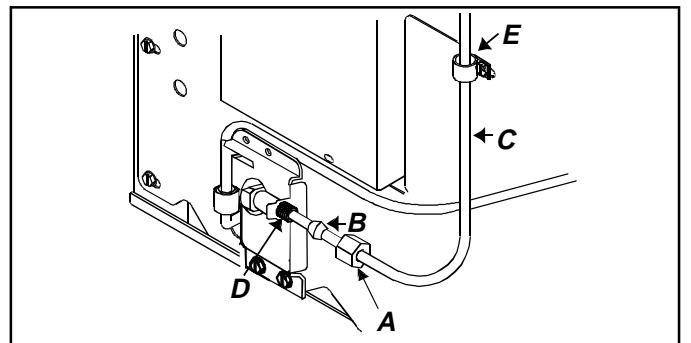
Length of copper tubing must reach from water supply connection to water valve inlet port on back of refrigerator, plus additional 8 ft. (2 m) of tubing for a service loop. A service loop will allow refrigerator to be pulled away from the wall without disconnecting tubing.

Procedure

- Remove plastic cap(A) from water valve inlet port(B).



- Place brass nut(A) and brass sleeve(B) on copper tubing(C) (Brass nut and sleeve are found in your literature packet.). Insert copper tubing into water valve inlet port(D). Connect brass nut on copper tubing to water valve inlet port. Make sure copper tubing is secure by pulling on copper tubing.
- Turn on water supply to refrigerator and check for leaks. Correct any leaks at connection. Be careful not to overtighten connection.
- Create a service loop using extreme care to avoid kinks. Secure copper tubing to refrigerator cabinet with a "P" clamp(E). It is important to secure copper tubing to refrigerator to avoid leaks when pushing refrigerator back into opening.



- Proceed to **Leveling Refrigerator** for final refrigerator placement.

Leveling Refrigerator

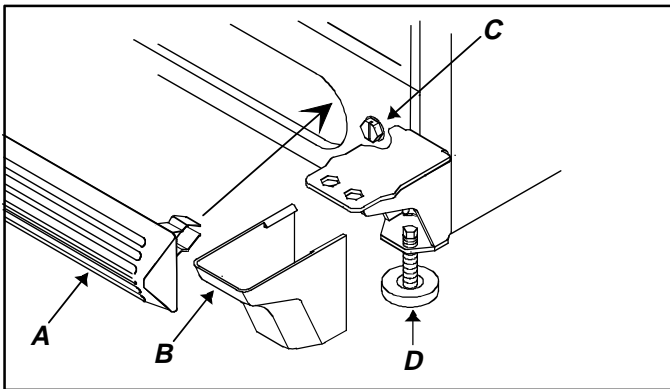


CAUTION

Protect soft vinyl or other flooring with cardboard, rugs or other protective material to avoid property damage.

If your refrigerator requires an ice maker water supply connection, proceed to *Connect ice maker water supply* section before leveling your refrigerator.

1. Plug in power cord.
2. Move refrigerator into final location.
3. Level refrigerator using a level placed on top of the refrigerator.
 - Remove toe grille(**A**). Remove bottom hinge cover(**B**).
 - Turn roller adjustment screws(**C**) to raise or lower refrigerator cabinet. Front of refrigerator must be $\frac{1}{4}$ " (6 mm), or $\frac{1}{2}$ bubble on your level, higher than the back of your refrigerator.
 - Make sure refrigerator cabinet is level from side to side by adjusting left and right roller adjustment screw(**C**).
 - Turn stabilizing leg (**C**) clockwise until firmly against floor.
4. Replace toe grille(**A**) and bottom hinge cover(**B**). See markings on inside of toe grille to insure proper placement.
 - **Snap top portion into place first.** Press down on lower part of grille until bottom portion snaps into place.



5. Review *Installation Checklist* in Owner's Manual with consumer.

Installation Checklist

This checklist is for personal records only.

Consumer Installer

Doors

Handles are solidly attached to doors.

Handle side of door is 1/8" (3 mm) higher than hinge side. (Door lowers when loaded with food.)

Doors seal completely to refrigerator cabinet.

Leveling

Refrigerator is tilted 1/4" (6 mm) from front to rear.

Toe grille is properly attached to refrigerator.

Product Literature

Owner's manual is reviewed including the following information.

- product registration card
- Fresh food and freezer controls
- Humidity-controlled crispers
- normal operating sounds

Notes _____

Consumer's Signature

Installer's Signature

Installer's Company Name/Phone Number

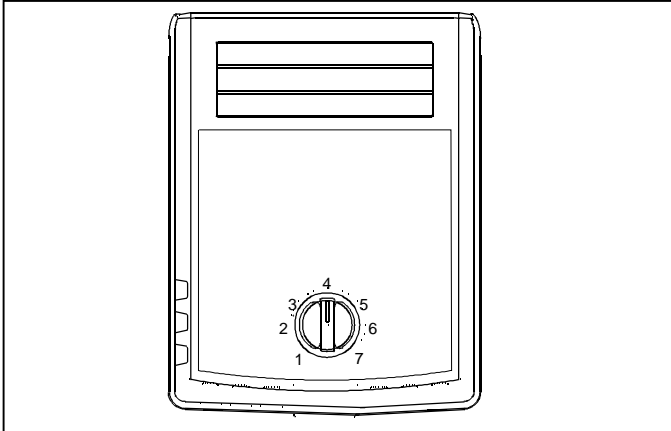
Date

Controls

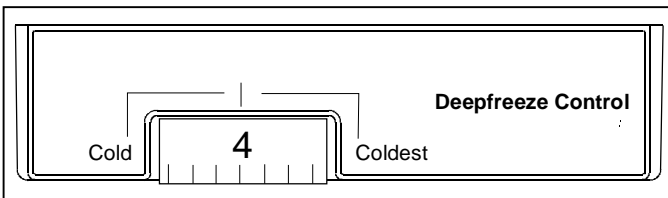
This refrigerator is designed to operate at normal household temperatures of 55° to 110°F (13° to 43°C).

Fresh Food and Freezer Controls

Fresh food control is located on upper rear wall of fresh food section.



Freezer control is located on left front ceiling of freezer section.



Setting Controls

When freezer control is set to OFF, neither refrigerator nor freezer sections will cool. Initially, set both controls to 4. Wait 24 hours for refrigerator and freezer sections to stabilize temperatures. After 24 hours, adjust controls, one number at a time, as desired. One is warmest setting and seven is coldest.

Set controls precisely using a household thermometer with a temperature range between -5° to 50°F (-21° to 10°C).

Put thermometer snugly between frozen packages in freezer section. Wait 5–8 hours. If freezer temperature is not 0° to 2°F (-17° to -16°C), adjust freezer control one number at a time. Check again after 5–8 hours.

Put thermometer in a glass of water in middle of fresh food section. Wait 5–8 hours. If fresh food temperature is not 38° to 40°F (3° to 4°C), adjust fresh food control one number at a time. Check again after 5–8 hours.

Fresh Food Features

Fresh Food Shelves

Shelves adjust to meet individual storage needs. Some models feature Spillsaver™ Shelves and Easy Glide™ shelves. Spillsaver™ Shelves hold minor spills for easier cleaning.



CAUTION

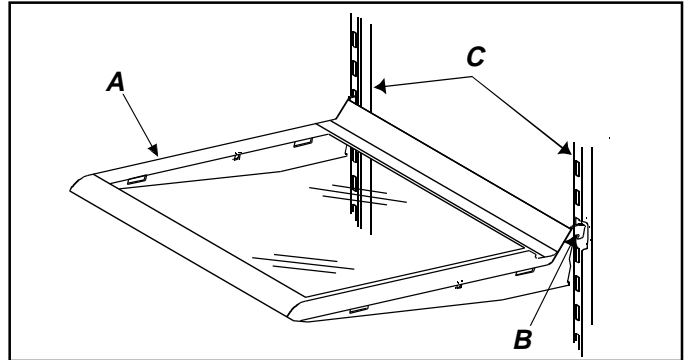
Make sure shelf is secure before replacing items on shelf to avoid property damage.



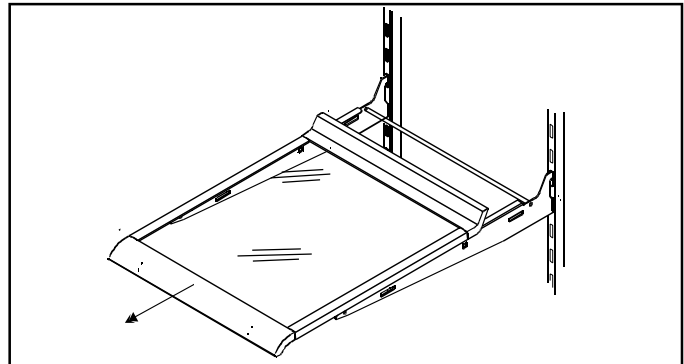
CAUTION

Handle tempered glass shelves carefully to avoid personal injury or property damage. Shelves may break suddenly if nicked, scratched, or exposed to sudden temperature change.

- Remove shelves (**A**) by lifting up shelf front, releasing hooks (**B**) from metal track (**C**), then pulling out.
- Replace shelves by inserting hooks into metal track and lowering front of shelf.



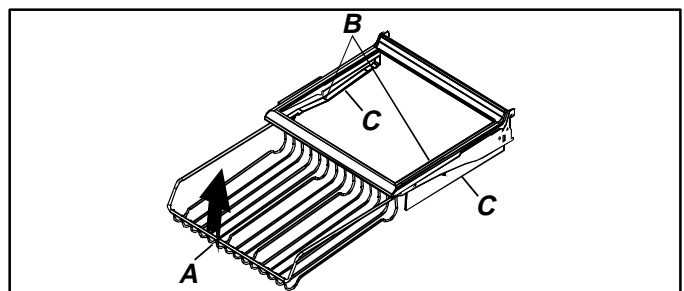
Easy Glide™ shelves pull forward for easy access to items in back.



Beverage Organizer (some models)

The beverage organizer slides out from underneath the glide-out shelf. This may hold 12 cans or other desired beverages.

- Before removing organizer, empty contents.
- Remove organizer (**A**) by pulling organizer forward until it catches on grooves (**B**) in shelf rail (**C**). Lift organizer front and pull out.
- To replace, guide organizer (**A**) into shelf rails (**C**) until forward movement is stopped by groove (**B**). Lift organizer front and ease organizer toward back of unit.



Adjustable Deli Drawer™ (some models)

- Refer to instructions entitled Spillsaver™ Shelves for removing and replacing shelf.
- Remove drawer and sleeve by lifting and pulling out.
- Replace drawer by sliding into place.

Garden Fresh™ Crispers

Garden Fresh™ crispers keep produce fresh longer. Wrap produce tightly. Do not wash produce before placing in crispers. Excess moisture could cause produce to spoil prematurely. Do not line crispers with paper towels. Paper towels retain moisture.

Garden Fresh™ crisper control is located below front shelf trim. Control adjusts humidity in crisper drawers. Slide control to high for produce with leaves such as lettuce, spinach or cabbage. Slide control to low for produce with skins such as cauliflower, corn or tomatoes.

To remove or clean crisper drawer assembly for 33" wide units:

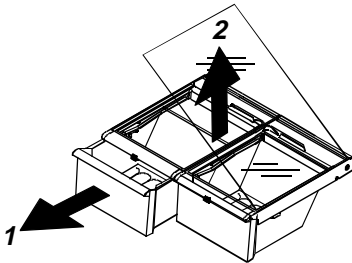
1. Remove crisper drawer on handle side of unit.



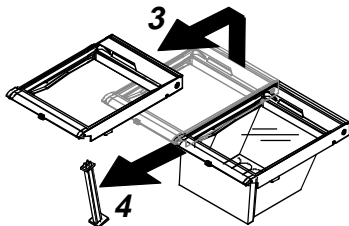
CAUTION

Handle tempered glass shelves carefully to avoid personal injury or property damage. Shelves may break suddenly if nicked, scratched, or exposed to sudden temperature change.

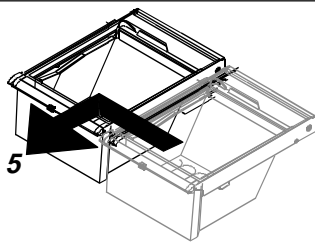
2. Remove glass crisper top by gently pushing up from underneath. Tilt one end up and pull out.



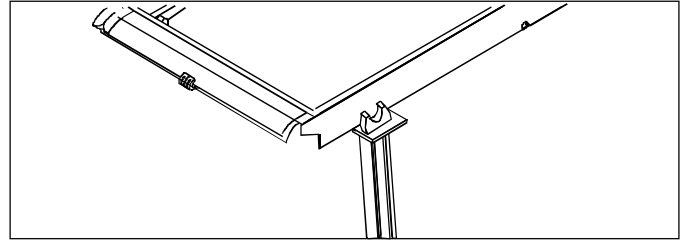
3. Lift front of crisper shelf frame and remove.
4. Lift front of remaining crisper assembly and remove support post from center of refrigerator floor.



5. To avoid interference with door, move remaining crisper assembly to opposite wall and remove.



6. Replace crispers and shelves by performing steps 2 through 5 in reverse order.
Note: Be sure to hook shelf frame over notch on top of support post when replacing shelf frames.



7. Slide crisper glass into place.

To remove or clean crisper drawer assembly for 30" wide units:

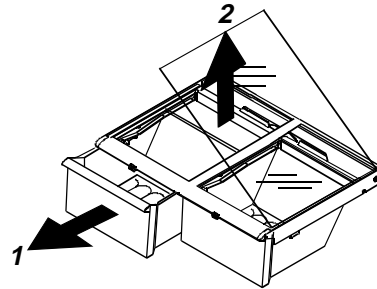
1. Open refrigerator door as wide as possible and remove crisper drawers.



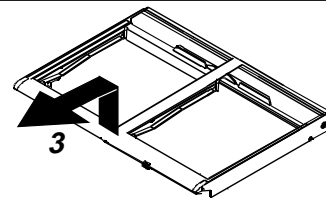
CAUTION

Handle tempered glass shelves carefully to avoid personal injury or property damage. Shelves may break suddenly if nicked, scratched, or exposed to sudden temperature change.

2. Remove glass crisper top by gently pushing up from underneath. Tilt one end up and pull out.



3. Raise front of crisper frame free of refrigerator cabinet rail assembly and pull out of unit.



4. Replace crispers and shelf by performing steps 2 through 3 in reverse order.
5. Slide crisper glass into place.

Chiller Fresh™ System (some models)

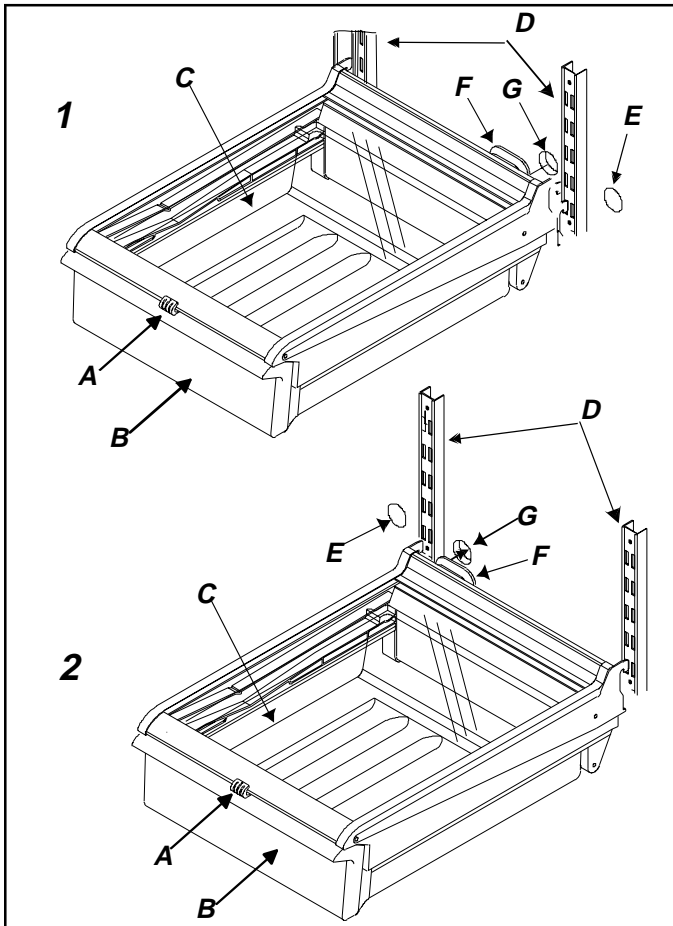
The Chiller Fresh™ System features a drawer inside a sleeve. Freezer air circulates between drawer and sleeve. This system keeps food fresh longer and up to 5°F (3°C) colder than refrigerator temperature.

Chiller Fresh™ control(A) is located below front shelf trim. Control adjusts amount of air circulating around drawer. Control adjusts amount of air circulating around drawer. Slide control to *COLD* for normal refrigerator temperature and to *COLDER* for colder temperature. Ice crystals may form on drawer or food on *COLDER* setting. Cold air entering the Chiller Fresh™ drawer can decrease refrigerator temperature. Fresh food control may need to be adjusted to a lower number to compensate for colder air.

Chiller Fresh™ drawer can be moved from the left to the right side of the refrigerator compartment to accommodate different storage needs.

To install on left side, see Figure 1. To install on right side, see Figure 2

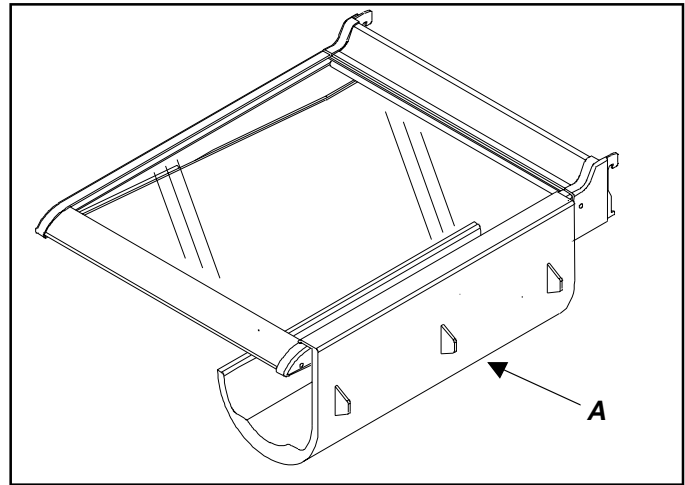
1. Remove drawer(B) by lifting and pulling out. Remove shelf(C) by lifting from front, releasing hooks from metal track(D), then pulling out.
2. Remove plastic cap(E) from back wall of fresh food section by placing a knife covered with masking tape underneath cap and pulling forward.
3. Rotate boot(F) 180° to opposite side.
4. Insert plastic cap in hole(G) opposite side of fresh food section. Confirm cap is snugly in place. Cold air may cause food to freeze if cap is not replaced.
5. Replace shelf by inserting hooks into metal track and lowering the front. Use slots 4 through 6 only.
6. Replace drawer by sliding in. Make sure boot fits snugly over air inlet in back wall.



Storage Rack (some models)

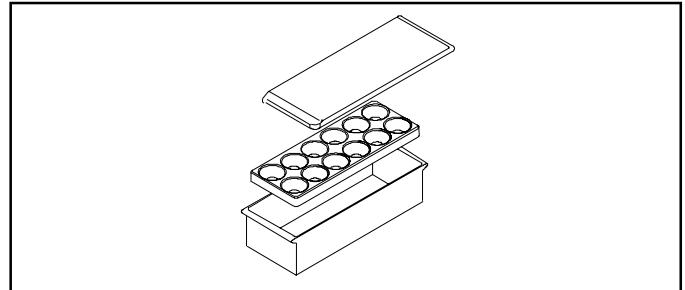
Storage rack(A) provides convenient storage for a large bottle, eggs, etc.

- Hang rack by hooking over side of shelf.



Covered Storage Bucket (some models)

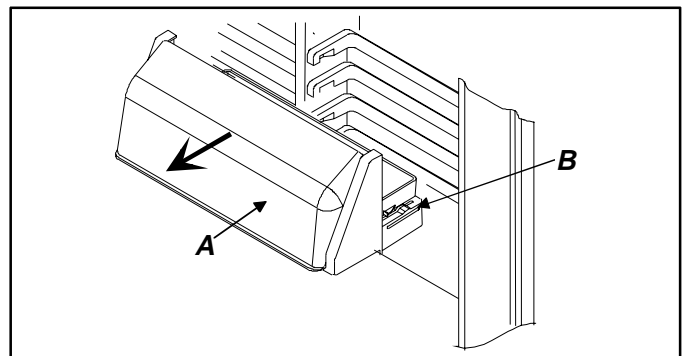
The covered storage bucket has a lid and removable egg tray. When tray is removed, bucket will accept standard egg carton, ice, etc.



Dairy Center (some models)

The dairy center provides convenient storage for butter, cheese, etc.

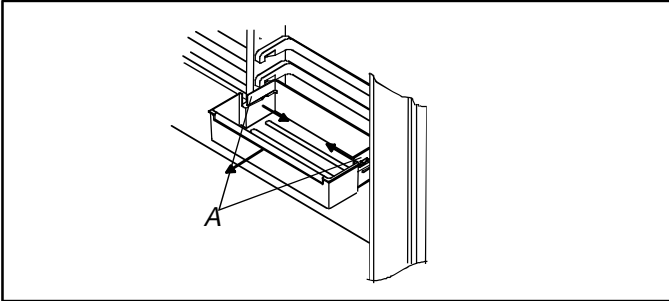
- Remove dairy center by lifting door(A), pushing tabs(B) of shelf down on both sides, and pulling out.
- Replace dairy center by sliding in until tabs lock into place, then lower door.



Door Buckets

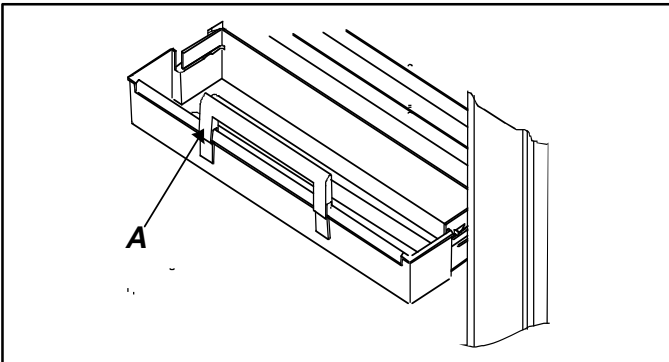
Door buckets adjust to meet individual storage needs.

- Remove door buckets by pushing tabs **(A)** on both sides of shelves toward center and pulling bucket out.
- Replace door buckets by sliding in until tabs lock into place.



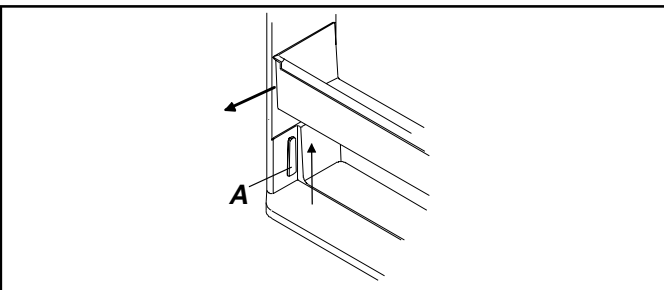
Tall Package Retainer (some models)

Tall package retainer **(A)** keeps tall items secure. Retainer fits on front edge of any refrigerator door bucket or door shelf.



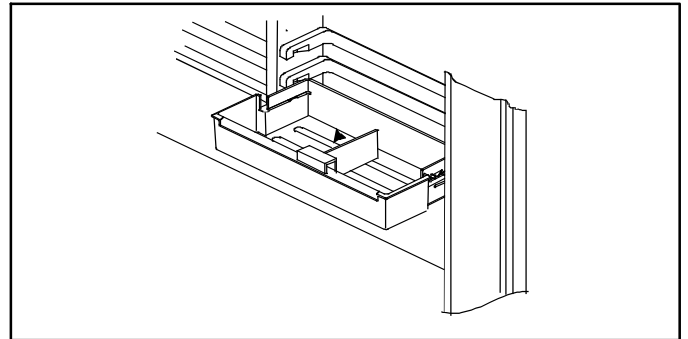
Door Shelves

- Remove door shelves by lifting ends and pulling out.
- Replace door shelves by placing shelf on glides **(A)** and sliding down.



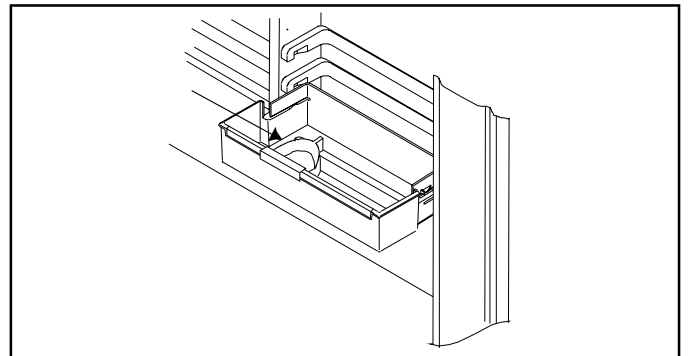
Adjustable Divider (some models)

Adjustable divider keeps items in place and adjusts to meet individual storage needs. Divider fits in any door bucket or door shelf.



Bottle Holder (some models)

Bottle holder keeps items in place and adjusts to meet individual storage needs. Bottle holder fits in any door bucket or door shelf.



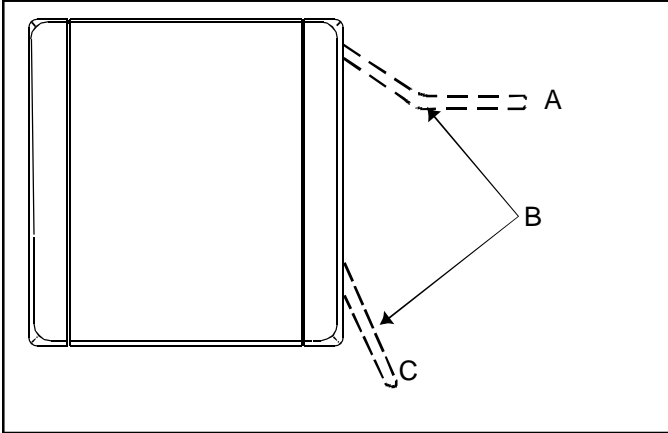
Freezer Features

Frost-Free System

The fresh food and freezer sections are completely frost-free. Defrosting is automatic under normal conditions.

Automatic Ice Maker (some models)

- Make sure ice bucket is in place and ice maker arm **(B)** is down **(C)**.



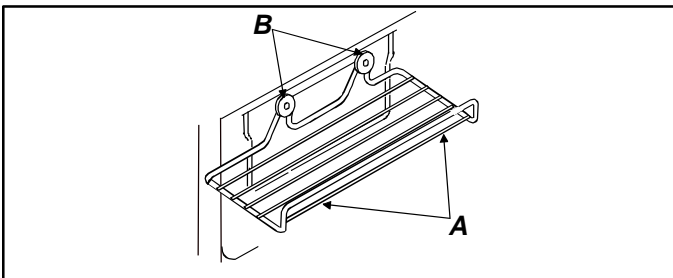
- After freezer section reaches normal temperature, the ice maker fills with water and begins operating. For optimum ice production, it is recommended that freezer section be at least half full. Allow 24–48 hours after installation before first harvest of ice. Ice maker produces 7 to 9 harvests of ice in a 24-hour period under ideal conditions.
- After ice is formed, ice maker drops ice cubes into ice storage bucket. During ice production, ice maker arm **(B)** raises and lowers. When ice storage bucket is full, ice maker arm turns ice maker off **(A)**.

Note: Discard first 3 harvests of ice so any impurities left in the water line after installation are not consumed.

- If you wish to stop automatic ice production lift ice maker arm **(A)**. A definite click is heard when proper position is reached. Ice maker arm will remain in that position until pushed down.

Ice Service Rack (some models)

Install ice service rack **(A)** by placing ice service rack on washers **(B)** and sliding down.



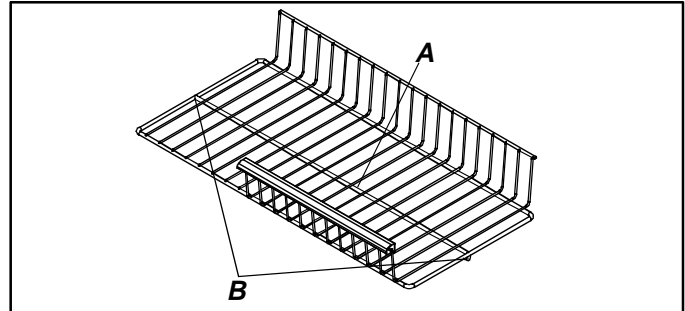
CAUTION

Make sure shelf is secure before placing items on shelf to avoid property damage.

Slideout Shelf (some models)

Slide out shelf pulls forward for easy access to items in back.

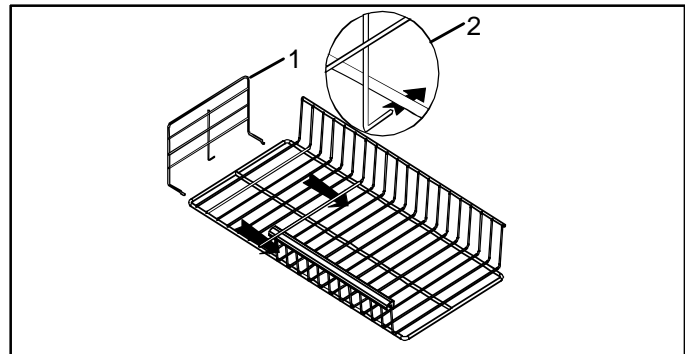
- Remove slideout shelf by sliding forward until ball point **(B)** beneath center rail **(A)** catches in molding groove.
- Grasp shelf by center rail, pull up, and remove.
- Slide in until ball point falls into molding groove.



Vertical Shelf Divider (some models)

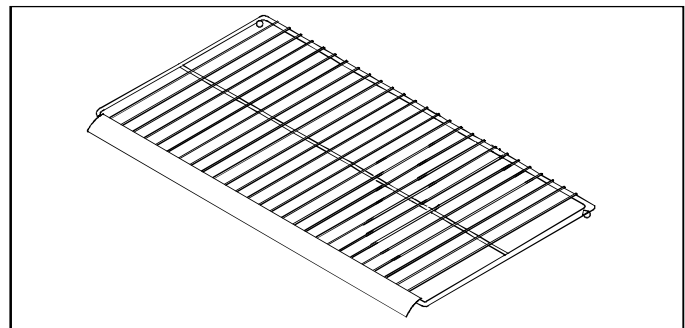
Install vertical shelf divider by completing the following steps:

1. Slide prongs of shelf divider beneath desired grill work, slightly off-center from center rail.
2. Press top of divider down and slide hook assembly beneath center rail.



Fixed Wire Shelf (some models)

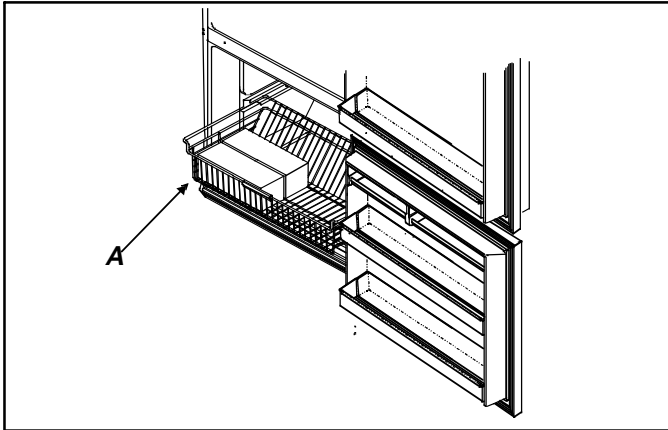
- Remove wire shelf by pulling out. A sharp tug may be necessary.
- Replace wire shelf by sliding in until back locks in place.



Wire Basket

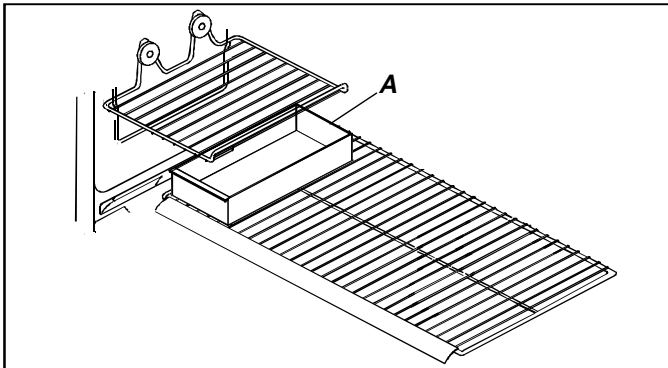
Wire basket(A) slides out for easy access to items in back.

- Remove wire basket by lifting and pulling out.
- Replace wire basket by sliding in.



Ice Bin (some models)

Ice bin(A) sits below the ice service rack on the wire freezer shelf.



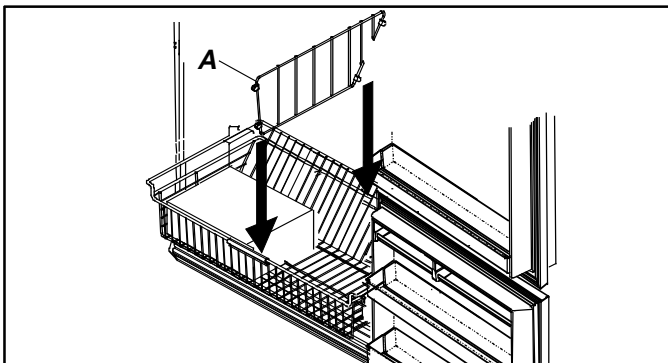
Vertical Basket Divider

Install vertical basket divider(A) by completing the following steps:

1. Align clips on side of divider with rungs in basket wall.
2. Press top of divider down until divider meets bottom of basket

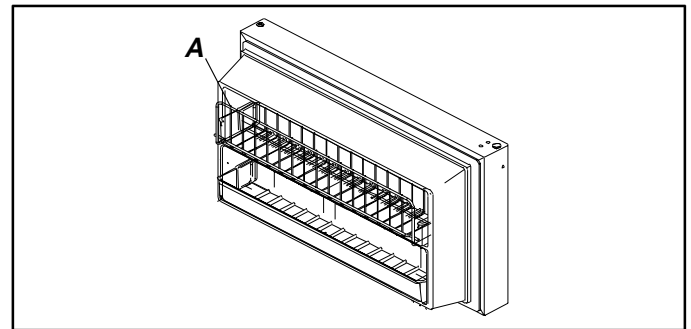
To remove divider:

1. Grasp top of divider and pull straight up.



Tilt-Out Bin (some models)

The tilt-out bin(A) provides convenient storage for frozen food items in freezer door and tilts forward for easy access of those items.



Pullout Drawer Baskets (some models)

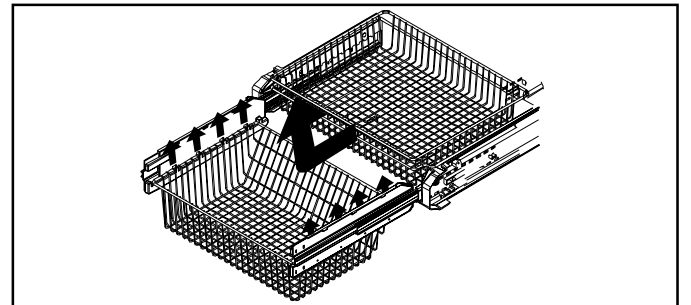
(Door assembly of drawer removed from illustration for visual clarity)

To remove and replace top basket:

- Remove basket by pulling basket out to its full extension and lift out.
- Replace basket by sliding into upper compartment of freezer.

To remove and replace bottom basket:

- Remove basket by lifting basket from rail guides.
- Replace basket by placing into rail guides.

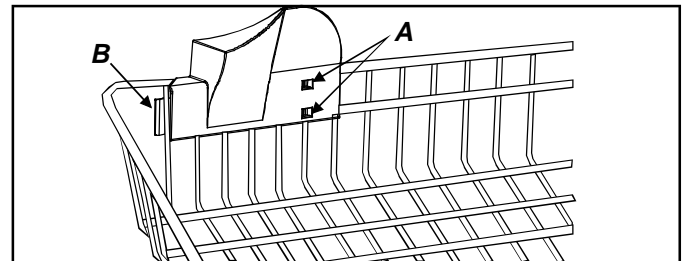


Ice Shield (some models)

The ice shield is mounted at the back of the pullout drawer to prevent ice from falling behind the basket assemblies.

To remove and replace ice shield:

- Slide ice shield to the right to release hooks (A) from vertical wire rungs.
- To replace, slide tab (B) into place as shown.



Care and Cleaning



WARNING

Disconnect power to refrigerator before cleaning to avoid electrical shock which can cause severe personal injury or death. After cleaning, restore power.



CAUTION

Read and follow all manufacturer's cleaning directions to avoid personal injury or property damage.

General

See section on Stainless Steel Cleaning if doors are stainless steel.

1. Wash surfaces with 4 tablespoons baking soda dissolved in 1 quart warm water and a soft, clean cloth.
2. Rinse surfaces with warm water. Dry surfaces with a soft, clean cloth.
 - Do not use the following items:
 - abrasive or harsh cleaners, ammonia, chlorine bleach, etc.
 - concentrated detergents or solvents
 - metal scouring padsThese items can scratch, crack and discolor surfaces.
 - Do not place buckets, shelves, etc. in dishwasher.

Stainless Steel Cleaning

Damage to stainless steel finish due to improper use of cleaning products, or using non-recommended cleaning products, is not covered under warranty.

For Amana recommended products, call our Consumer Affairs division at **1(800) 843-0304**, or contact us on the internet at **www.amana.com**.

1. Wash surfaces with warm soapy water and a soft, clean cloth or sponge.
2. Rinse surfaces with warm water. Dry surfaces with a soft, clean cloth.
 - Do not use the following harsh cleaners:
 - abrasive or acidic cleaners(ammonia, chlorine bleach, vinegar-based product, etc.
 - citrus-based cleaners
 - scouring pads(metal, textured plastic, etc.)These items can scratch, discolor, or permanently tarnish surfaces.
3. Follow up rinsing by immediately drying with a soft, clean cloth. This will avoid water spotting on stainless steel finish.

Adhesives

1. Remove adhesive residue from refrigerator surfaces by rubbing toothpaste into adhesive with fingers until adhesive loosens.
2. Rinse surface with warm water. Dry surface with a soft, clean cloth.

Door Gaskets

1. Clean door gaskets every 3 months according to General Cleaning instructions. Clean any spills immediately.

Condenser Coil

Clean condenser coil behind toe grille every 3 months to ensure maximum performance of refrigerator.

Accumulated dust and lint may cause the following:

- reduced cooling performance
 - increased energy usage
 - premature part failure
1. Remove toe grille by holding ends and pulling away from refrigerator.
 2. Clean front surface of condenser coil with a vacuum cleaner hose nozzle.
 3. Replace toe grille by inserting clips in holes and snapping in. See *Leveling Refrigerator* section.
 4. Raise stabilizing legs (some models) by turning counterclockwise.



CAUTION

Protect soft vinyl or other flooring with cardboard, rugs or other protective material to avoid property damage.

5. Pull refrigerator away from wall. Run a vacuum brush across grille on back of refrigerator.

Glass Shelves



CAUTION

Handle tempered glass shelves carefully to avoid personal injury or property damage. Shelves may break suddenly if nicked, scratched, or exposed to sudden temperature change.

Remove shelf by lifting front, releasing hooks from metal track then pulling out. Place shelf on a towel. Allow shelf to adjust to room temperature before cleaning.

Clean crevices by completing the following:

1. Dilute mild detergent and brush solution into crevices using a plastic bristle brush. Let sit for 5 minutes.
2. Spray warm water into crevices using faucet spray attachment.
3. Dry shelf thoroughly and replace shelf by inserting hooks into metal track and lowering it from the front.

Odor Removal

1. Remove all food and disconnect power to refrigerator.
2. Clean all interior surfaces including ceiling, floor, and walls according to General Cleaning instructions above. Pay special attention to corners, crevices, and grooves. Include all drawers, shelves, and gaskets.
3. Connect power to refrigerator and return food to refrigerator. Wash and dry all containers. Wrap foods in tightly sealed containers to prevent further odor.

- After 24 hours, check if odor has been eliminated. Complete steps 4–9 if odor has not been eliminated.
- With unit unplugged, place crispers on top shelf of refrigerator section. Pack refrigerator and freezer sections, including doors, with crumpled sheets of newspaper.
 - Place charcoal briquettes randomly throughout newspaper.
 - Close doors and let stand 24–48 hours.
 - Remove charcoal briquettes and newspapers.
 - Complete steps 2–3.

If odor is still not eliminated, contact a customer service representative with the number located in the Model Identification section.

Light Bulb Replacement

WARNING

Disconnect power to refrigerator before replacing light bulb to avoid electrical shock which can cause severe personal injury or death. After replacing light bulb, restore power.

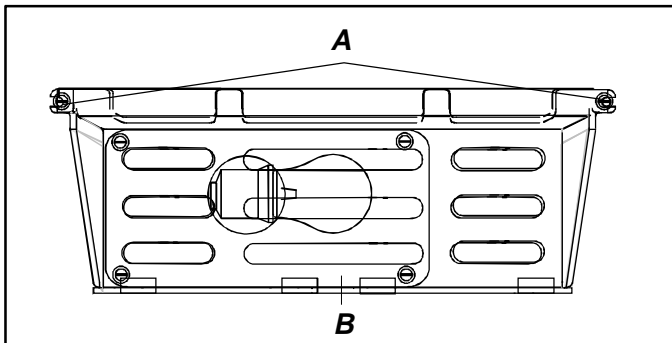
CAUTION

Observe the following to avoid personal injury or property damage.

- Allow light bulbs to cool
- Wear gloves when replacing light bulb.

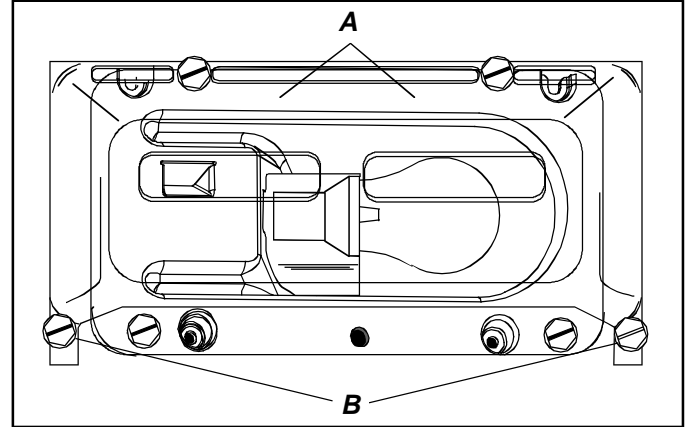
Fresh Food Light

- Remove light bulb cover (**B**) by removing ¼" hex nut screws (**A**). Replace with appliance bulb **no greater than 25 watts**.
- Replace light bulb cover by replacing ¼" hex nut screws.



Freezer Light

- Remove light bulb cover (**B**) by removing ¼" hex nut screws (**A**). Replace with appliance bulb **no greater than 25 watts**.
- Replace light bulb cover by replacing ¼" hex nut screws.



Vacation Tips

Complete the following steps for short vacations.

- Remove perishable foods.
- If an ice maker is installed, move ice maker arm to *Off* position. (See "Automatic Ice Maker" section)

Complete the following steps for long vacations.

- Empty refrigerator and freezer sections.
- Unplug refrigerator.
- Clean refrigerator and door gaskets according to General Cleaning instructions in "Care and Cleaning" section.
- Prop doors open, so air can circulate inside.
- If an ice maker is installed, turn off water supply to refrigerator and move ice maker arm to *Off* position. (See "Automatic Ice Maker" section page 12)

Energy Tips

This refrigerator is designed to be one of the most energy efficient refrigerators available. Reduce energy use by observing the following.

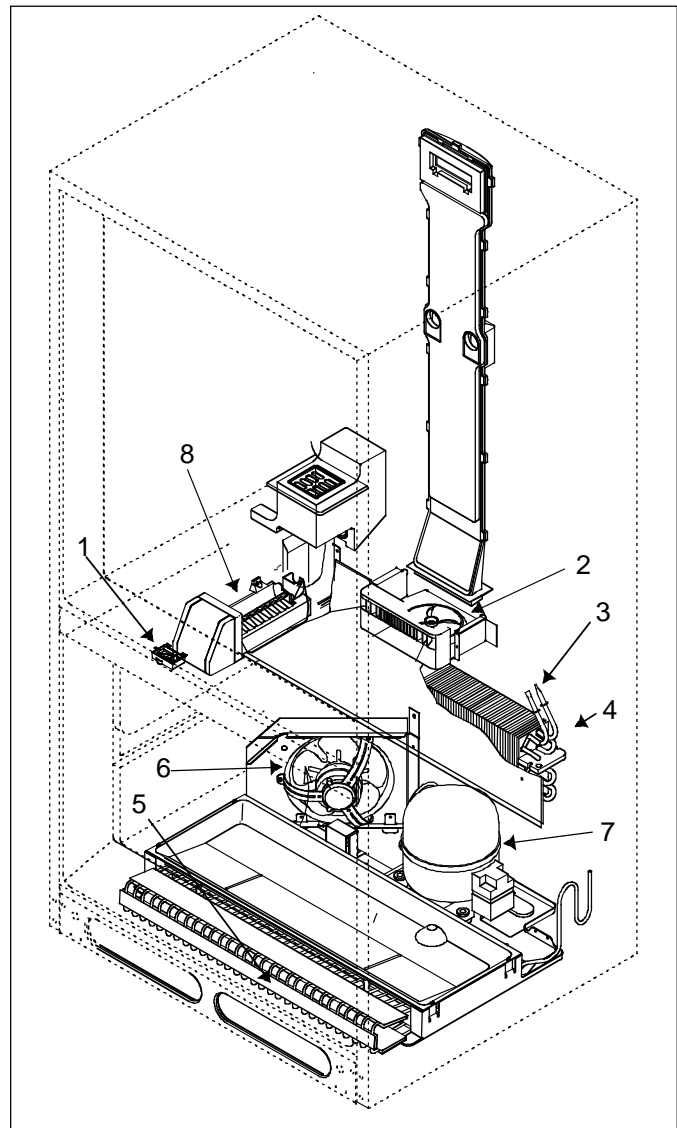
- Operate in household temperatures of 55° to 110°F (13° to 43°C) away from heat sources and direct sunlight.
- Set refrigerator, freezer, and temperature controlled meat drawer system controls no colder than necessary.
- Keep freezer section full.
- Keep door gaskets clean and pliable. Replace gaskets if worn.
- Keep condenser coils clean.

Normal Operating Sounds

This new refrigerator may be replacing a differently designed, less efficient or smaller refrigerator. Today's refrigerators have new features and are more energy efficient. As a result, certain sounds may be unfamiliar. These sounds are normal and will soon become familiar to you. They also indicate refrigerator is operating and performing as designed.

1. **Freezer control** clicks when starting or stopping compressor.
2. **Freezer fan** air rushes and whirs.
3. **Sealed system** (evaporator and heat exchanger) refrigerant flow gurgles, pops or sounds like boiling water.
4. **Defrost heater** sizzles, hisses or pops.
5. **Defrost timer** sounds like an electric clock and snaps in and out of defrost cycle.
6. **Condenser fan** air rushes and whirs.
7. **Compressor** has a high pitched hum or pulsating sound and cycles on and off.
8. **Ice cubes** from ice maker (some models) drop into ice bucket.
9. **Ice maker water valve hookup** (some models) buzzes when ice maker fills with water. This occurs whether or not refrigerator is connected to water supply. If refrigerator is not connected to water supply, stop sound by raising ice maker arm to *Off* position. Ice maker water valve hookup is located behind condenser fan in back of refrigerator.

Note: Foam insulation is very energy efficient and has excellent insulating capabilities. However, foam insulation is not as sound absorbent as previously used fiberglass insulation.



Before Calling For Service

Problem	Solution
Refrigerator does not operate.	<ul style="list-style-type: none"> • Make sure freezer control is on. • Make sure refrigerator is plugged in. If not, firmly plug the cord into a live outlet with proper voltage. • Check fuse or circuit breaker. Plug in another item at that wall outlet. If outlet does not work, replace the fuse or reset the circuit. • If freezer control is on, light works but 2 fans and compressor are not operating, refrigerator may be in defrost cycle. Wait 40 minutes to see if refrigerator restarts.
Refrigerator still will not operate.	<ul style="list-style-type: none"> • Unplug refrigerator. Transfer food to another refrigerator or place dry ice in freezer section to preserve food. Call for service.
Food temperature appears too warm.	<ul style="list-style-type: none"> • See above sections. • Allow time for recently added warm food to reach refrigerator or freezer temperature. Adding food warms the refrigerator. It can take a few hours for the refrigerator to return to normal temperature. • Check gaskets for proper seal. Gaskets should seal tightly to cabinet. • Clean condenser coil. See “Condenser Coil” instructions in “Care and Cleaning” section. • Adjust refrigerator and or freezer control. See “Setting Controls” instructions in “Controls” section. • Freezer or refrigerator light stays on. If light stays on, call service. • Return air vents behind crisper are blocked restricting airflow. Locate return air vent behind crispers and remove any debris that blocks vents or restricts airflow.
Chiller Fresh™ System temperature is too warm.	<ul style="list-style-type: none"> • Slide control to colder setting. • Adjust freezer control to colder setting. See “Setting Controls” instructions of “Controls” section. • Verify Chiller Fresh™ System cap has been moved if drawer has been moved from left to right side of cabinet. See “Chiller Fresh™ System” section.
Food temperature is too cold.	<ul style="list-style-type: none"> • Clean condenser coil. See “Condenser Coil” instructions in “Care and Cleaning” section. • Adjust refrigerator control. See “Setting Controls” instructions in “Controls” section. • Adjust freezer control to warmer setting. See “Setting Controls” instructions in “Controls” section. Allow several hours for temperature to adjust. • Verify plastic cap is in place near Chiller Fresh™ System. See “Chiller Fresh™ System” section.
Refrigerator runs too frequently.	<ul style="list-style-type: none"> • It may be normal to maintain constant temperature. • Doors have been opened frequently or for an extended period of time. When the door is opened warm humid air is allowed into the refrigerator. The more the door is opened the more warm air the refrigerator must cool. • Allow time for recently added warm food to reach refrigerator or freezer temperature. It can take a few hours for the refrigerator to return to normal temperature. • Clean condenser coil. See “Condenser Coil” instructions in “Care and Cleaning” section. • Adjust freezer control. See “Setting Controls” instructions in “Controls” section. • Check gaskets for proper seal. Gaskets should seal tightly to cabinet. • Freezer light stays on. If light stays on, call service • Make sure refrigerator is level. See “Leveling Refrigerator” section of Installation Instructions.

Problem	Solution
Water droplets form on inside of refrigerator.	<ul style="list-style-type: none"> It is normal during high humidity periods or if doors have been opened frequently. Wrap food tightly and wipe off damp containers prior to storing in the refrigerator to avoid moisture accumulation.
Water droplets form on outside of refrigerator.	<ul style="list-style-type: none"> Check door seals for proper seal. Gaskets should seal tightly to cabinet. It is normal during high humidity periods or if doors have been opened frequently.
Chiller Fresh™ System or crisper drawer does not close freely (some models).	<ul style="list-style-type: none"> Check for a package that may prevent drawer from closing properly. Confirm drawer is in proper position. Clean drawer channels with warm, soapy water. Rinse and dry thoroughly. Apply a thin layer of petroleum jelly to drawer channels. Confirm refrigerator is level.
Refrigerator has an odor.	<ul style="list-style-type: none"> See “Odor Removal” instructions in “Care and Cleaning” section.
Refrigerator makes unfamiliar sounds or seems too loud.	<ul style="list-style-type: none"> It may be normal. See “Normal Operating Sounds” section.
Ice cubes have an odor.	<ul style="list-style-type: none"> See “Odor Removal” instructions in “Care and Cleaning” section. Ice maker was recently installed. Discard first few batches of ice to avoid discolored or off-flavored ice. Food has not been wrapped tightly in either refrigerator or freezer compartment. Rewrap foods since odors may migrate to the ice if food is not wrapped properly. Discard ice and clean ice bucket or trays more frequently. Ice cubes are porous and absorb odors easily. Water supply contains minerals such as sulfur. In some situations a filter may need to be installed to eliminate taste and odor problems.
Ice cubes stick together or “shrink”.	<ul style="list-style-type: none"> Empty ice cube bucket or trays more frequently. If used infrequently, ice cubes may stick together or shrink.
Ice maker is not producing ice.	<ul style="list-style-type: none"> Water pressure may be too low or high. Ice maker requires a water pressure of 20-100 psi to function properly. Confirm ice maker arm is down. See “Automatic Ice Maker” section. Confirm household water supply is reaching water valve. Make sure the water valve shut off is fully turned on. Piercing type or $\frac{3}{16}$” saddle valve was used for hookup. Both reduce water flow and may become clogged with time. Replace these valves with correct type of saddle valve requiring $\frac{1}{4}$” hole to be drilled in water supply pipe prior to valve attachment. Confirm ice maker wiring harness is inserted completely in proper holes. Check for kinks in copper or plastic tubing. Remove kinks or replace tubing. Check electrical connections to water valve coil and connector block on refrigerator cabinet. If a water filter has been installed on the water line outside the refrigerator, check the filter for clogs or improper installation of the filter.
Ice maker is not producing enough ice.	<ul style="list-style-type: none"> Ice maker has just recently been installed or a large amount of ice has just been used. Wait 24 hours for ice production to begin and for ice maker to restock after emptied. Confirm household water supply is reaching water valve. Make sure the water valve shut off is fully turned on. Piercing type or $\frac{3}{16}$” saddle valve was used for hookup. Both reduce water flow and may become clogged with time. Replace these valves with correct type of saddle valve requiring $\frac{1}{4}$” hole to be drilled in water supply pipe prior to valve attachment. Check for kinks in copper or plastic tubing. Remove kinks or replace tubing. Confirm freezer section is operating at proper temperature and that freezer is, at least, half-full. Freezer must be cold enough to produce ice. See “Setting Controls” section.
Ice forms in inlet tube to ice maker.	<ul style="list-style-type: none"> Check water pressure. Low water pressure causes valves to leak. Piercing type or $\frac{3}{16}$” saddle valve was used for hookup. Both reduce water flow and may become clogged with time. Replace these valves with correct type of saddle valve requiring $\frac{1}{4}$” hole to be drilled in water supply pipe prior to valve attachment.

WARRANTY AND SERVICE

DOMESTIC WARRANTY- FULL FIVE YEAR WARRANTY

In addition to all statutory rights which you, the Consumer, have under the relevant laws in respect of this appliance, during the first five years of ownership as the original purchaser of this Kleenmaid appliance, we guarantee that any fault caused by faulty material or workmanship becoming apparent will be rectified free or charge for parts and labour, provided that all service is performed during normal working hours by Kleenmaid or their designated Agents. Where the appliance is installed outside the normal servicing area of the above, the Purchaser must pay for the cost of transporting the appliance to and from the Agent or the Agent's travelling cost to and from the Purchaser's home.

COMMERCIAL WARRANTY - ONE YEAR WARRANTY

When this appliance is installed in a commercial application, in addition to all statutory rights which you, the Consumer, have under the relevant laws in respect of this appliance, during your first one year of ownership as the original purchaser of the Kleenmaid appliance, we guarantee that any fault caused by faulty material or workmanship becoming apparent, will be rectified free of charge for parts and labour, provided that all service is performed during normal working hours by Kleenmaid or their designated Agents. Where the appliance is installed outside the normal servicing area of the above, the Purchaser must pay for the cost of transporting the appliance to and from the Agent or the Agent's travelling cost to and from the Purchaser's home.

WHAT THESE WARRANTIES DO NOT COVER

We are not responsible for any damage or malfunction unless caused by a defect in material or workmanship. This includes but is not limited to abuse, misuse, improper installation and transportation damage. We are not responsible for any consequential damages from any malfunction.

WARRANTY DOES NOT COVER REPLACEMENT OF LIGHT GLOBES OR GLASS BREAKAGE DUE TO IMPACT

In case of fractured glass do not use your appliance.

WARRANTY REGISTRATION

Please complete the enclosed warranty card and retain it together with your proof of purchase document. These documents will need to be viewed by our service representative should you request in warranty service.

SERVICE ASSISTANCE

To assist you when phoning our After Sales Service number to arrange a service call please complete the following details and have them ready when you call.

Model Number:..... Date of purchase:.....

Kleenmaid Store purchased from:..... Date of installation:.....

Your Postcode:.....

Other products in Kleenmaid St George
range of world's best appliances:

Washers

Dryers

Dishwashers

Ovens

Cooktops

Rangehoods

Sinks

Waste Disposals

Taps

Cookware

Refrigerators

Freezers

Vacuum Cleaners

**For sales information on the full range of quality kitchen and laundry
appliances, phone 13 13 08.**

For service related enquires, phone 1300 652 100