

# REFRIGERATOR / FREEZER

collection

---

## Instructions for Use and Warranty Details

---

Upside Down Refrigerator **RFU284** - 284 litres  
**RFU330** - 330 litres



**KLEENMAID**  
THE WORLD'S BEST



---

# Instructions for Use

---

## Refrigerator - Freezer

Thank you for your trust and for buying this appliance. We hope it will successfully serve the purpose for many years.

**This refrigerator with freezer** is for domestic use only.

**The upper part of the appliance is refrigerator** and is used for storing fresh foods at the temperature of 0°C and higher.

**The lower part is freezer** and is used for freezing fresh foods and storing frozen foods for longer periods of time (up to one year, depending on the kind of foods you store). The compartment is marked with four stars.

<b>Before Putting Into Use</b>	<b>4-5</b>
<b>Placing and Installation</b>	<b>6-7</b>
<b>Description of the Appliance</b>	<b>8-9</b>
<b>Operation Controls</b>	<b>10</b>
<b>Use</b>	<b>11-13</b>
<b>Changing the Direction of Opening the Door</b>	<b>14-15</b>
<b>Cleaning and Maintenance</b>	<b>16-17</b>
<b>Trouble-Shooting Guide</b>	<b>18-19</b>

# Before Putting Into Use

---



- Before connecting the appliance to the mains supply, leave it stand for about 2 hours, which will reduce a possibility of malfunctions in the cooling system due to transport handling.
- Clean the appliance, and be thorough, especially in the interior (See Cleaning and Maintenance).
- If the interior accessories are not correctly placed, rearrange them as described in chapter "Description of the Appliance".

## Instructions for Use

These instructions for use are intended for the user. They describe the appliance and its correct and safe use. They were prepared for various types/models of appliances therefore you may find in it description of some functions and accesories that your appliance does not have.

## We Care for the Environment

---

- Our appliances are distributed in packaging made of environmental friendly material which could safely be recycled, disposed off or enviroment destroyed, with no effects on whatsoever.
- These instructions are printed either on recycled paper or chlorine free bleached paper.
- When you find your appliance is wornout and no longer needed, try not to burden the environment with it. Call your nearest authorised "collecting service for used appliances".

## Tips for Energy Savings

---

- Try not to open the door too often, especially when the weather is wet and hot. Once you open the door, close it as soon as possible.
- Every now and then check if the appliance is sufficiently ventilated (adequate air circulation behind the appliance).
- Set thermostat to lower settings as soon as possible (depends on the amount of food loaded, ambient temperature etc).
- Before loading the appliance with packages of fresh foods, make sure they are cooled to ambient temperature.
- Ice and frost layer increase energy consumption, so do clean the appliance as soon as the layer is 3-5 mm thick.

## Important

---



- If you have bought this appliance to replace an old one equipped with a lock that cannot be opened from inside (lock, bolt), make sure that the lock is broken. This will make it impossible for children to lock themselves inside the appliance and suffocate.

- The appliance must be correctly connected to the mains supply. (see: Connecting to the Mains Supply).
- Do not touch the cooled surfaces while the appliance operates, especially with wet hands, because the skin may stick to the cold surfaces.
- Do not freeze bottles containing liquid, especially not soft drinks, such as mineral water, sparkling wine, beer, cola etc., because liquid expands during freezing and the glass bottle is very likely to break.
- If the food has strange smell or color, throw it away, because it is very likely that it is spoiled and therefore dangerous to eat.
- Disconnect the appliance from the power supply before repairing it (only a qualified technician should repair it), before cleaning and before replacing the light bulb.
- Do not defrost the appliance with other electric devices (hair dryer etc.) and never scrape the ice or frost layer with sharp tools.
- A heating element is incorporated in the appliance, all around the rim, and is controlled by the operation of the compressor and it prevents the door from freezing gasket on to the freezer housing.
- The rating plate is inside the appliance or outside on the rear wall.

### **Storing Time During Power Supply Interruption**

Do not open the freezer in case of failure or power supply interruption! In case the interruption is extended over longer period of time (16 hours), take food out of the freezer and use it, or make sure that is sufficiently cooled (perhaps you have an extra appliance).

# Placing and Installation

## Choosing the Right Place

Place the appliance in a dry and regularly ventilated room. Allowed ambient temperature depends on the model (class) of the appliance and is stated on the rating plate of the appliance.

Class	Ambient temperature
SN (sub-normal)	from + 10°C to + 32°C
N (normal)	from + 16°C to + 32°C
ST (sub-tropical)	from + 18°C to + 38°C
T (tropical)	from + 18°C to + 43°C

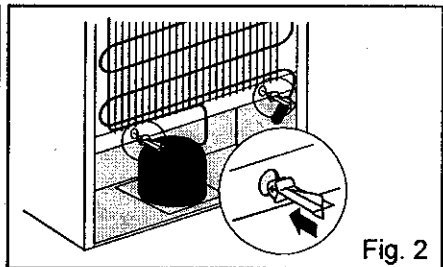
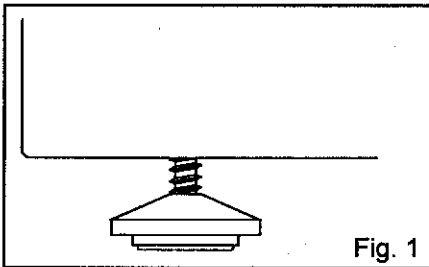
The appliance may be exposed to higher temperatures (up to 24 hours) or lower temperatures (up to 12 hours), but not lower than +5°C.

In case the appliance is exposed to temperatures lower than +16°C, the operation of the refrigerator is normal, yet the temperature in the freezing compartment is raised which shortens the storage time of the frozen foods. If you have a model with integrated switch for intensive cooling, consider the instructions in chapter "Temperature selection".

Never place the appliance near heat emitting devices (e.g. cooker, radiator, water heater or similar devices) and do not expose it to direct sunlight.

## Placing the Appliance

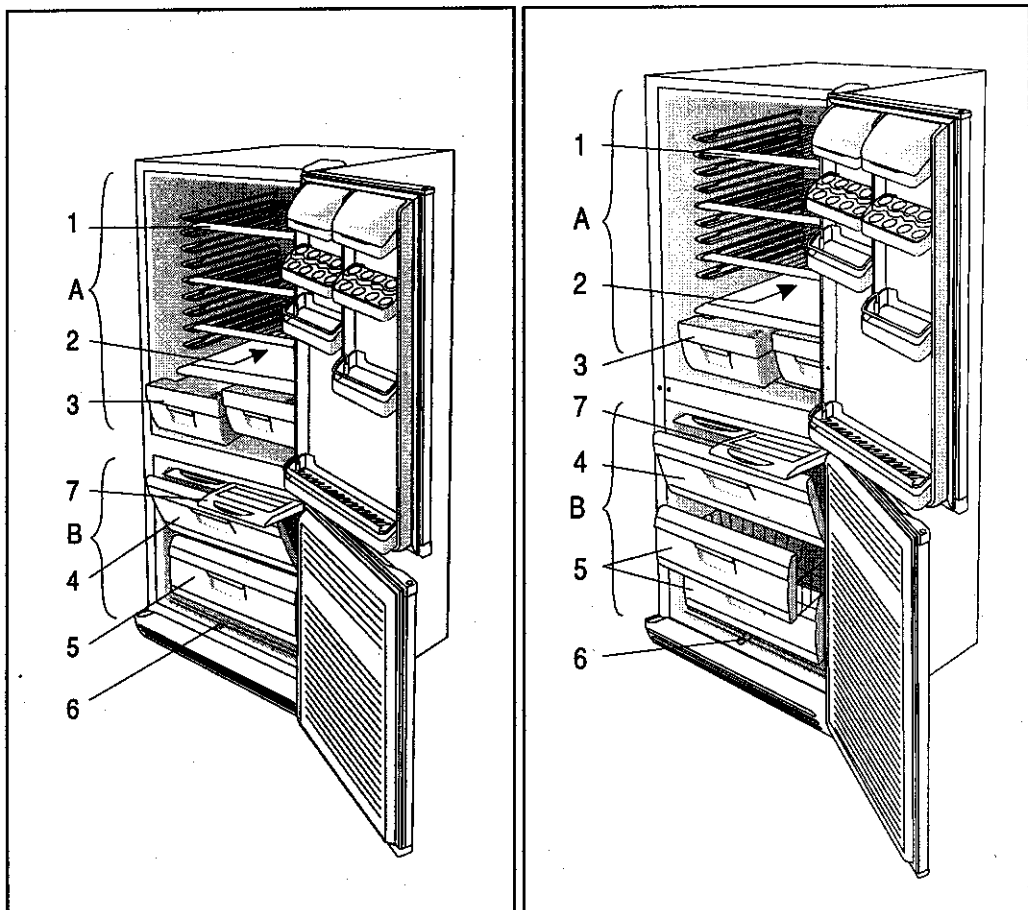
- Place the appliance firmly on a solid base. Some appliances have adjustable feet on the front side; use them to level the appliance (Fig. 1).
- The appliance has two spacers that should be inserted into the opening on the rear wall of the appliance, which makes it impossible for the appliance to be pushed too close to the wall (Fig. 2).



## Connection to Power Supply

Connect the appliance with the cable and plug to the power supply socket. This supply outlet must be 240V and earthed.

# Description of the Appliance



## Refrigerator (A)

Refrigerator is used for storing fresh foods for few days.

### Shelf (1)

(number depends on the model)

Shelf can be optionally placed on the guides inside the appliance. It is protected against pulling out. If you want to remove it, slightly lift up the back part and pull it out. Quickly perishable food should be stored on the back i.e. the coldest part of the shelves.

### Defrost Water Outlet (2)

The interior of the refrigerator is cooled with a cooling plate incorporated in the rear wall. Under the plate there is a channel and an outlet for defrost water.

Regularly check the defrost water outlet and the channel, because they should never be clogged (as for example with food scraps). If clogged, use a plastic straw and clean it.

### **Fruit and Vegetable Container (3)**

The container is on the bottom under the glass shelf and is used mainly for storing fruits and vegetables. It provides adequate humidity which has favourable effect on food stored (less dehydration).

### **Door Liner**

The door liner consists of various shelves or holders used for storing eggs, cheese, butter and yogurt as well as other smaller packages, tubes, cans etc.

The lower shelf is used for storing bottles.

### **Illumination in the Interior of the Refrigerator**

The light for illuminating the interior of the appliance is on, when the door is opened. The operation of the light does not depend on the position of the thermostat knob.

## **Freezer (B)**

---

Freezer is used for freezing fresh foods and for storing already frozen foods.

### **Freezing Compartment (4)**

is used for freezing fresh foods.

### **Storing Basket (5)**

is used for storing packages of frozen foods.

### **Defrost Water Outlet (6)**

(See Cleaning and Maintenance).

### **Cold accumulators (7)**

In the upper part of the freezing compartment there are two cold accumulators.

Before switching on the freezer for the first time, remove the accumulators and insert them again after the red light is off.

- Both accumulators maintain uniform temperature of frozen foods therefore assuring higher quality of foods and reducing energy consumption.
- If you remove the accumulators, the compartment can be used for freezing fruits (for example berries) or for ice making.
- The cold accumulators can also be used to maintain cool temperatures in "eskys".

# Operation Control

---

The appliance is controlled with thermostat knob, situated in the right upper part inside the refrigerator.

Turn the knob clockwise from **STOP (0)** position towards 7 and backwards.

## Temperature Selection

---

- Higher settings on the knob (towards 7) mean lower temperatures (colder) in all compartments of the appliance. Temperature in the interior of the appliance may even drop below 0°C.

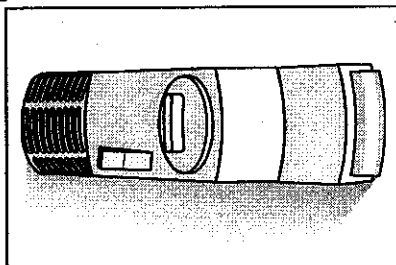
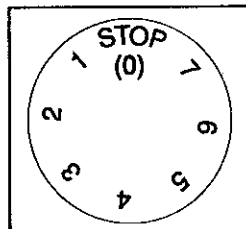
When the ambient temperature is normal, we recommend medium setting.

- Changes of the ambient temperature affect temperature in the interior of the appliance (choose correct setting of the thermostat knob).

- If you have a model with integrated switch for intensive cooling, switch it on, when the ambient temperature is lower than 20°C, to ensure normal operation of the appliance. The switch is on, when the coloured mark is visible, and off, when you don't see the mark.

Temperature in the refrigerator may be increased by activating this switch, regardless the ambient temperature.

- In **STOP (0)** position the appliance does not operate (the cooling system is switched off), yet power supply is not interrupted (the light is on, when you open the refrigerator door).





# Use

## Storing Fresh Foods

- Foods to be stored in the refrigerator should be properly packed as to prevent mixing various moisture degrees and odors (in polyethylene bags or sheet, aluminium foil, wax paper), or stored in covered containers or bottles.
- Never store inflammable, volatile or explosive substances.
- Beverages with high alcohol percentage shall be stored in tightly sealed bottles in vertical position.
- Food should not touch the rear wall of the refrigerator!
- Some organic solutions like volatile oils in lemon or orange peel, acid in butter etc. can cause damage and when in contact with plastic surfaces or gaskets for longer period of time they can cause accelerated ageing of the plastic material.
- Unpleasant odor inside the refrigerator is a sign that something is wrong with foods or that your refrigerator needs cleaning. Unpleasant odor can be eliminated or reduced by washing the interior of the refrigerator with a mild solution of water and vinegar or vanilla "fridge wipe".

### Fresh Food Storage Time in the Refrigerator

Article of food	Storage time (days)													
	1	2	3	4	5	6	7	8	9	10	11	12	13	14
Butter	+	+	+	+	+	+	+	=	=	=	=	=	=	=
Eggs	+	+	+	+	+	+	+	+	+	+	=	=	=	=
Meat: fresh uncut chopped smoked	+	+	=											
	+	=												
	+	+	+	+	+	+	+	+	+	+	=	=	=	=
Fish	+	=												
Marinade	+	+	+	+	+	+	+	+	+	+	=	=	=	=
Vegetables	+	+	+	+	+	+	+	+	=	=	=	=	=	=
Cheese	+	+	+	+	=	=	=	=	=	=	=	=	=	=
Sweets	+	+	=	=	=	=								
Fruit	+	+	=	=	=	=	=	=	=	=				
Prepared dishes	+	+	=	=										

Legend: + recommended storage time  
= possible storage time

## Freezing Fresh Foods

- Carefully select food you intend to freeze; it should be of adequate quality and suitable for freezing.
- Use correct packaging and wrap it right.
  - The packaging should be air tight and shouldn't leak since this could cause substantial vitamin loss and dehydration of foods.

- Foils and bags should be soft enough to tightly wrap around the foods.
- Mark packages with following data: kind and amount of foods and the date of loading.
- It is most important that the food is frozen as quickly as possible. Therefore we recommend the size of the package not to be too large and to be cooled before loading into the freezer.
- The amount of fresh foods that can be loaded in the freezer within 24 hours is indicated on the rating plate (freezing capacity). If the loaded amount is too large, the quality of freezing is reduced which affects the quality of frozen foods.

### **Freezing Procedure**

- **If you have a model without the integrated switch for intensive cooling**, turn the thermostat knob to position 4-6 some 24 hours before loading. After 24 hours load the freezer shelf with fresh food packages. Some 24 hours after loading, turn the thermostat knob to operating position if necessary (see "Temperature selection"), and then reload the frozen packages into the storage baskets.
- **If you have a model with integrated switch for intensive cooling**, switch it on some 24 hours before loading the appliance with larger amounts of fresh foods and turn the thermostat knob to position 4-6. After 24 hours load the appliance with fresh food packages. After loading, wait for another 24 hours and switch off the switch and turn the thermostat knob to required position (see "Temperature selection").
- The next time you want to freeze fresh foods, repeat the freezing procedure and be careful that packages with fresh foods do not touch frozen packages.
- For freezing smaller amount of foods (up to 1 kg) there is no need to change the thermostat setting (see Temperature Selection).

## **Storing Frozen Foods**

---

Frozen foods can be stored on the bottom of the appliance or on the shelf.

### **Commercially Frozen Foods**

The storage time and the recommended temperature for storing commercially frozen foods are indicated on the packaging. For storing and using consider the manufacturer's instruction.

When shopping, be careful and choose only adequately packed foods provided with complete data and stored in freezers where the temperature is not higher than -18°C.

Do not buy packages of food covered with frost layer. This indicates that the package was thawed before at least once.

Be careful that packages don't start to thaw, as the temperature raise reduces the quality of foods.

## Approximate Storage Time for Frozen Foods

Food	Storage time (in months)											
	1	2	3	4	5	6	7	8	9	10	11	12
Vegetable								+	+	+		
Fruit										+	+	+
Bread, Pastries			+									
Milk			+									
Ready-made meals			+									
Meat: Beef										+	+	+
Veal								+	+	+		
Pork				+	+	+						
Poultry								+	+	+		
Game						+	+	+				
Minced meat				+								
Smoked sausages	+											
Fish: lean			+									
fat	+											
Offal		+										

### Defrosting Frozen Food

Partially thawed or defrosted foods should be used as soon as possible. Cold air preserves the food but it does not destroy microorganisms which rapidly activate after defrosting and make foods perishable.

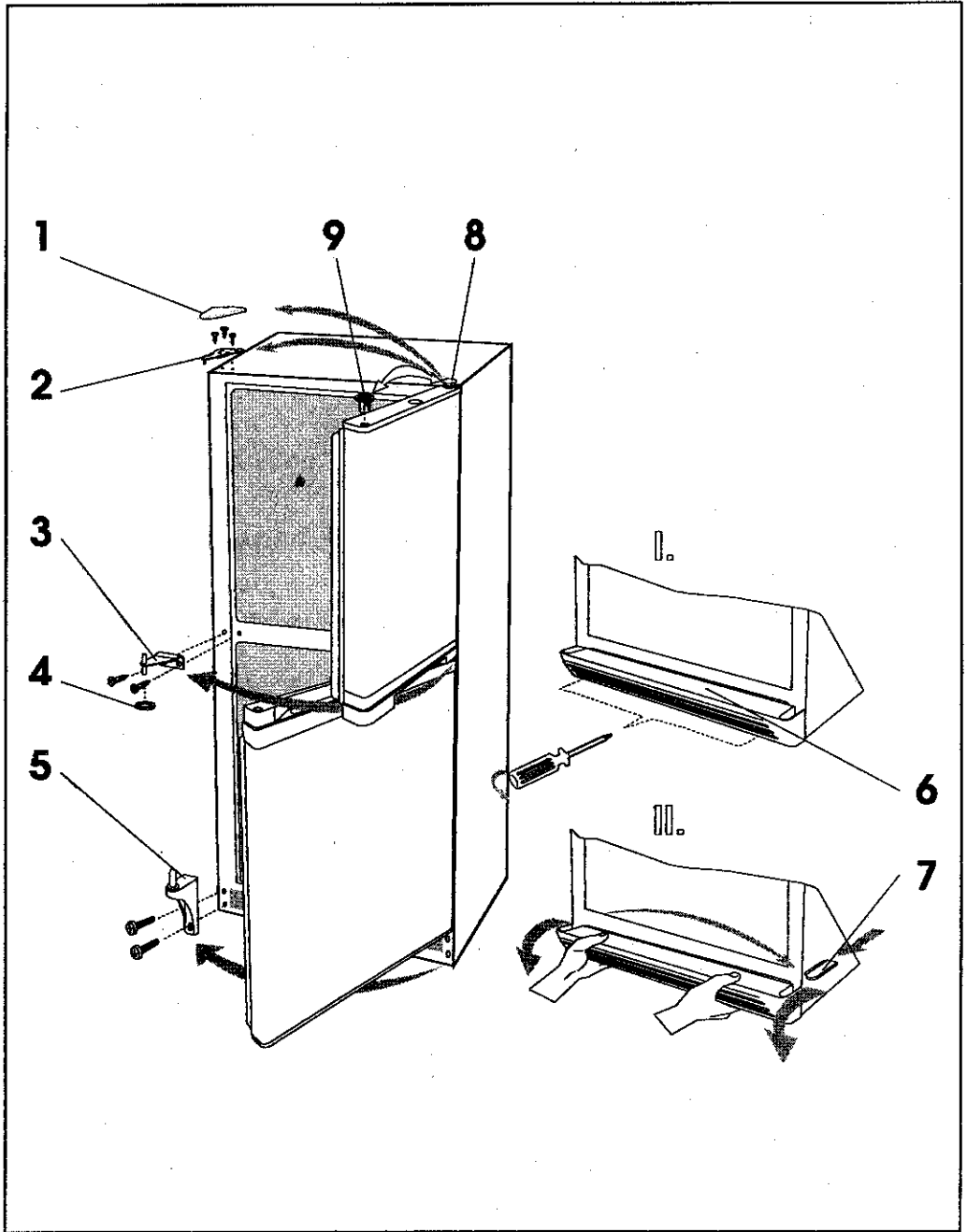
Partial defrosting reduces the nutritional value of foods, especially of fruits, vegetables and ready-made meals.

## **Changing the Direction of Opening the Door**

---

If you find the direction of opening the door on your appliance inconvenient, you can change it. Holes on the opposite side have already been prepared in the factory and are now plugged.

- Take off the upper hinge cover, unscrew the hinge and take off the upper door.
- Unscrew the kick-plate and remove it by pushing downwards.
- Unscrew the lower hinge and take off the lower door together with the middle hinge washer.
- Unscrew the middle hinge.
- Unplug the holes on the opposite side of the appliance and of the appliance door.
- Take off, change and replace the door hinge fixture and the fixture plugs.
- Fix the lower hinge to the opposite side of the appliance and put on the lower door.
- Rotate the middle hinge for 180° and put on the washer, from the lower side, and fix the hinge to the opposite side of the appliance. Put on the upper door.
- Fix the upper hinge and cover it.
- Replace the cover plate of the lower hinge to the opposite side of the kick-plate and fix it to the appliance.
- In case your appliance is equipped with a handle mounted on the side of the appliance, take it off and replace it on the other side. (If there is more than one handle, replace them all, following the same procedure.)  
Some screws are covered with caps. Take them off before undoing the screws.
- Use the decorative caps and plug the remaining middle hinge holes as well as the remaining holes of the side handles (if you have a model with side handles).
- Check the gasket, it shouldn't be creased and it should seal well.



- 1 Upper hinge fastener
- 2 Upper hinge washer
- 3 Middle hinge
- 4 Middle hinge washer
- 5 Lower hinge

- 6 Base plate
- 7 Cover plate of the lower hinge
- 8 Fixture plug of the door hinge
- 9 Door hinge fixture

# Maintenance and Cleaning

---

## Automatic Defrosting of the Refrigerator

---

There is no need to defrost the refrigerator, because ice depositing on the inner back wall is defrosted automatically.

Ice is depositing on the inner back wall during the compressor operation; later on, when the compressor is not operating ice is defrosting and water drops collect and drain through the outlet in the inner back wall into the drain pan situated above the compressor, from where it evaporates.

## Manual Defrosting of the Freezer

---

When the frost and ice layer in the freezer is 3-5 mm thick, you should clean the freezer.

- Few hours before defrosting set the thermostat to position 7, so that packages are well frozen. Reset the thermostat to **STOP (0)** position and disconnect the power supply. Empty the freezer and take care that the packages remain frozen.
- Insert the enclosed pipe into the groove in the bottom of the appliance and place a vessel underneath to collect the defrost water. Defrosting is accelerated if the door is left open.

## Cleaning the Appliance

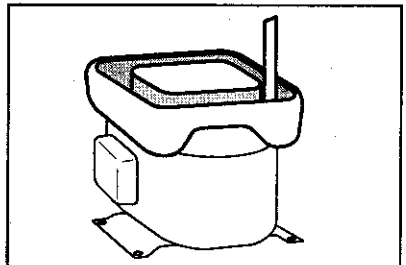
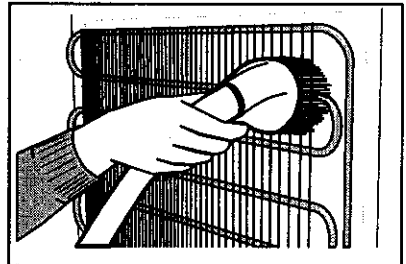
---

**Disconnect the power supply before cleaning the appliance.**

Do not use coarse or aggressive cleaning agents as you can damage the surface.

- Clean the **exterior** with water and detergent.
- Remove the **detachable accessories** in the interior of the appliance and clean it with water and liquid detergent. Plastic parts cannot be washed in dish washing machine.
- Wash the **interior** of the appliance with lukewarm water, in which you added one or two spoonfuls of vinegar.
- Every now and then wipe the condenser on the rear wall. Use soft non-metal brush or vacuum cleaner.
- Clean the **drain pan** on the refrigerator compressor. Do not remove the drain pan!

After cleaning, connect the appliance to power supply and reload the packages.



## Switch Off the Appliance When Not In Use

---

If you do not intend to use the appliance for a longer period, set the thermostat knob to the **STOP (0)** position, disconnect the power supply, take out the foods and defrost and clean the appliance. Leave the door slightly open.

# Trouble-Shooting Guide

---



During the service, you can come across some troubles that in most cases result from improper handling of the appliance and can easily be eliminated.

## **The Appliance Fails to Operate After connecting to the Mains Supply**

- Check the supply in the outlet socket and make sure the appliance is switched on (thermostat in operating position).

## **Continuous Operation of the Refrigerating System**

- The door was frequently opened or it was left open for too long.
- The door is not properly closed (the door may sag, the gasket may be dirty or damaged).
- Perhaps you have overloaded the appliance with fresh foods.
- The reason may be inadequate ventilation of the compressor and condenser (assure adequate air circulation and wipe off the condenser).

## **Ice Formation on the Inner Rear Wall**

As long as the defrost water runs to the channel and through the opening to the drain pan on the compressor, automatic defrosting of the appliance is assured.

If the ice formation on the inner back wall is increased (3-5 mm), ice should be manually defrosted.

Set the thermostat knob to **STOP (0)** position and leave the door open.

Never use electric devices for defrosting and do not scrape the ice or frost layer with sharp objects.

After completed defrosting, turn the knob to desired position and close the refrigerator door.

The cause of increased ice formation may be one of the following:

- the door does not seal well (clean the gasket if it is contaminated, or replace it if it is damaged);
- the door was frequently opened or it was left open for too long;
- the food stored in the refrigerator was warm;
- the food or dish is touching the inner back wall.

## **Water is Leaking From the Refrigerator**

If the discharge water outlet is clogged, or the defrost water drips over the channel, water leaks from the refrigerator.

- Clean the clogged opening, for example with a plastic straw.
- Manually defrost the increased ice layer. See "Ice Formation on the Inner Back Wall".



## The Freezer Door is Hard to Open

If you want to open the door that has just or recently been closed, you may find it hard to open. The reason why this happens is, that when you open the door, warm air gets into the appliance and its rapid cooling causes a reduced pressure which seals the door. After few minutes (5-10), the door can easily be opened.

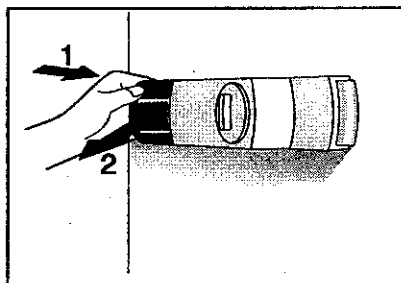
## Noise

Cooling in refrigerating-freezing appliances is enabled by the refrigerating system with compressor, which produces noise. How noisy the appliance is depends on where it is placed, how it is used and how old the appliance is.

- **During the operation** of the compressor the noise of liquid is heard and when the compressor is not operating, the refrigerant flow is heard. This is a normal condition and it has no influence whatsoever on the lifetime of the appliance.
- **After starting the appliance**, the operation of the compressor and the refrigerant flow may be louder, which does not mean that something is wrong with the appliance and it has no influence on the lifetime of the appliance. Gradually the noise is reduced.
- Sometimes **unusual and louder noise** is heard, which is rather unusual for the appliance. This noise is often a consequence of inadequate placing.
  - The appliance shall be placed and levelled firmly on solid base.
  - It should not touch the wall or kitchen units standing next to it.
  - Check the accessories in the interior of the appliance, they should be placed correctly in their positions; also check the bottles, tins and other items that might touch each other and rattle.

## Bulb Replacement

Before replacing the light bulb, disconnect the appliance from the power supply. Press the cover at the rear side (in the arrow 1 direction) and remove the plastic cover (in the arrow 2 direction). Replace the bulb with a new one (E14, max. 10 W).



**Light bulbs are not covered by warranty.**

WE RESERVE THE RIGHT TO ALTER THE SPECIFICATIONS  
WITH NO INFLUENCE ON THE OPERATION OF THE  
APPLIANCE.

# WARRANTY

## Full Five Year Warranty

In addition to all statutory rights which you, the Consumer, have under all the relevant laws in respect of this appliance, during your five years of ownership as the original purchaser of the Kleenmaid appliance, we guarantee that any fault caused by faulty material or workmanship, becoming apparent will be rectified free of charge for parts or labour provided that all service is performed during normal working hours by Kleenmaid or their designated Agent. Where the appliance is installed outside the normal servicing area of the above, the Purchaser must pay the cost of transporting the appliance to and from the Agent or the Agent's travelling cost to and from the Purchaser's home.

### What These Warranties Do Not Cover

We are not responsible for any damage or malfunction unless caused by a defect in material or workmanship. This includes, but is not limited to, abuse, misuse, improper installation, and transportation damage. We are not responsible for any consequential damages resulting from any malfunction. We are not responsible for light globes and filters that may need replacing during the warranty period.

*Owners Name:*

*Owners Address:*

*Date Purchased:*

*Purchased from (Dealer):*

Other products in Kleenmaid's  
range of world's best appliances:

Washers

Dryers

Vacuum Cleaners

Dishwashers

Cooktops

Rangehoods

Ovens

Refrigerators

Sinks & Taps

**For sales information on the full range of quality  
kitchen and laundry appliances, phone 13 13 08**

**Kleenmaid Head Office:**

PO Box 5560, Maroochydore South, Queensland 4558

