

Wall Mounted Rangehood 90cm

Model: RHMC90



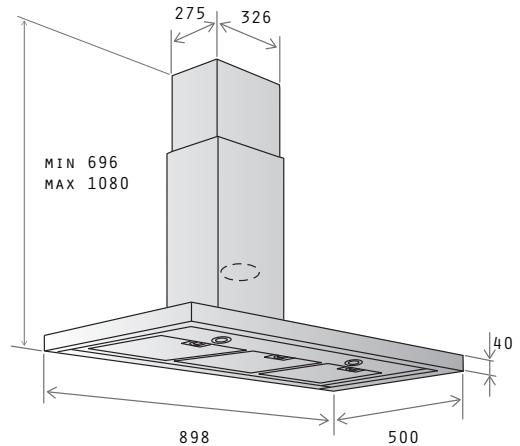
- Unique Stainless steel professional **ProTec Micro*** grease filters
- 12% more powerful performance, 900m³/h
- 16% quieter sound rating from 47 dbA with Kleenmaid's **Whisper*** technology
- 4 extraction speeds
- Front mount, centre touch control panel with night blue led lighting
- Slimline stainless steel construction
- Timer for automatic shut off for manual operation
- 2 halogen lights
- Non return protection for external air
- 150mm diameter air venting capacity for excellent performance



ProTec Micro



Whisper



QUALITY ASSURED

J10956_01